

88 5004 87 Bar Stool

IMPORTANT NOTE

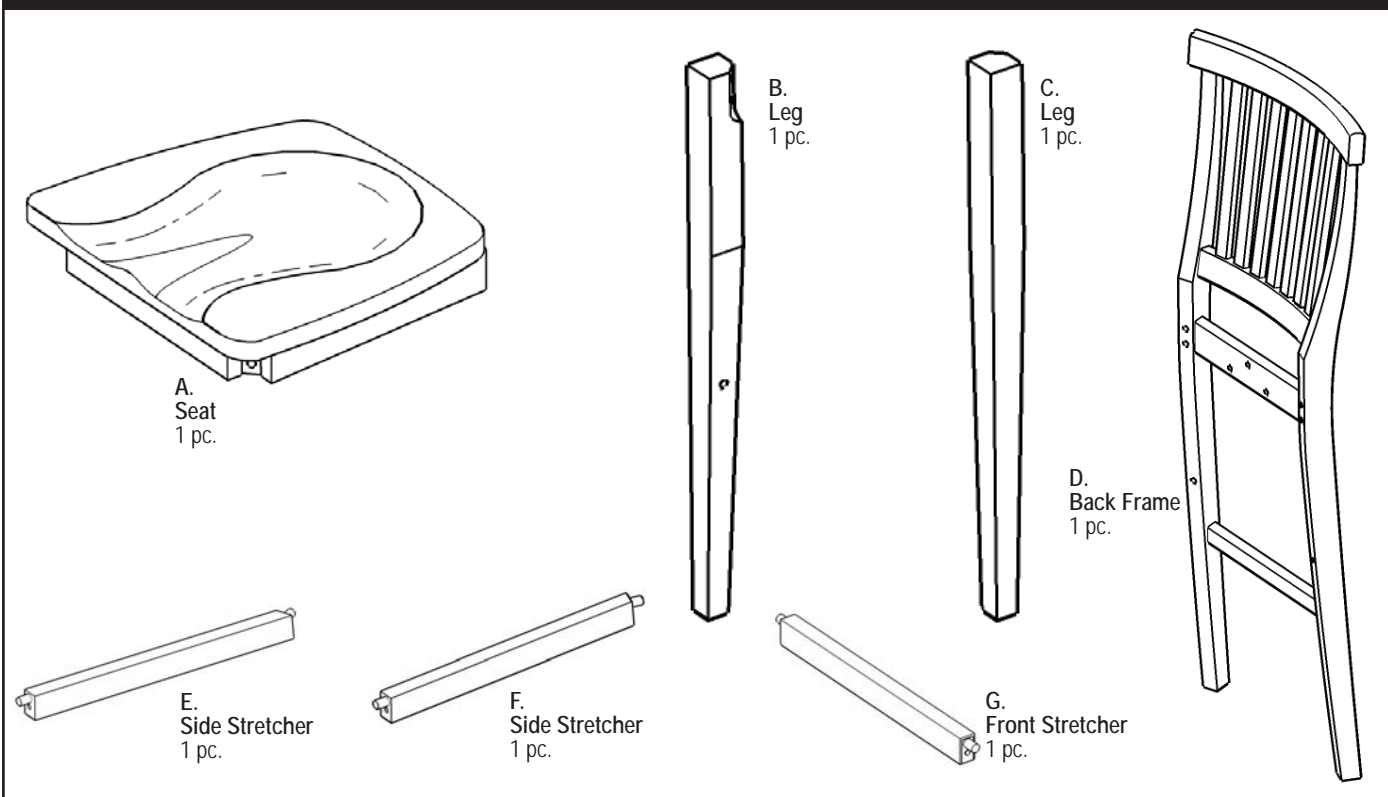
Carefully remove all the parts from the carton and put them individually on a soft cloth to prevent scratches or other damages occurring to the wood parts.

We have taken great care in the design of this product and request that you carefully and strictly follow our assembly instructions to ensure a completed product as it was designed.

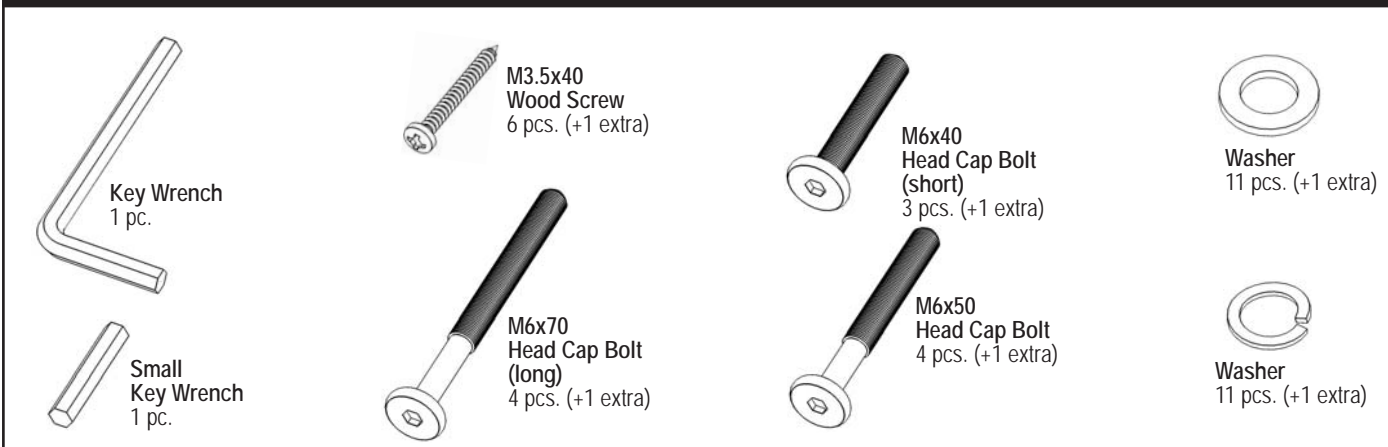
*Home
Styles*



Part List



Hardware List



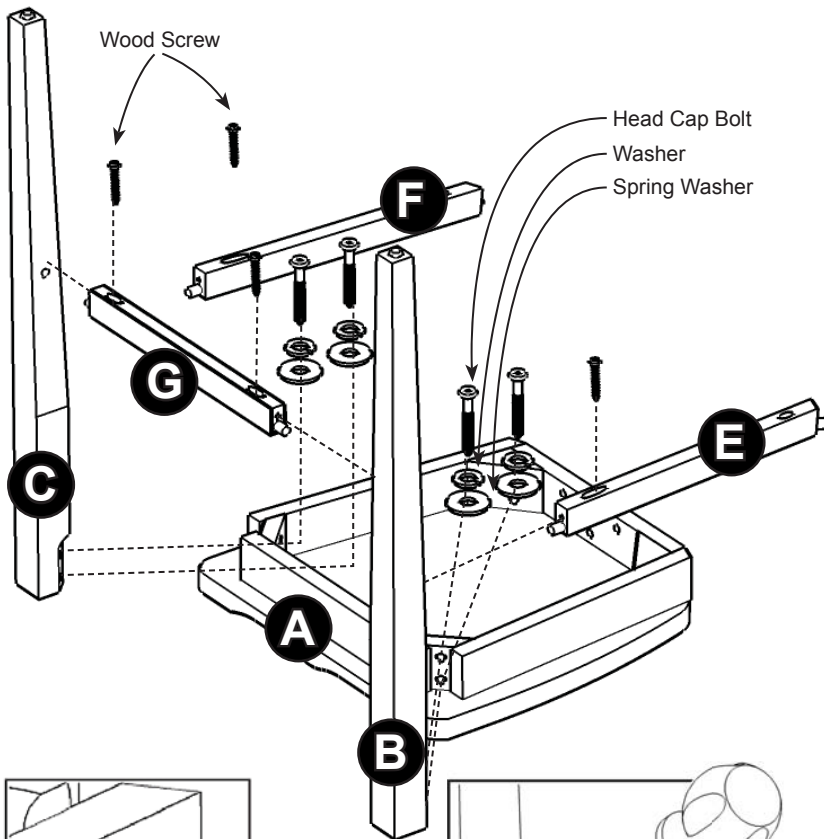
Tools required for assembly : Phillips screwdriver

Home Styles Consumer Assistance: www.homestyles-furniture.com,
servicedesk@homestyles-furniture.com, 888-680-7460, 877-831-0319

Assembly Instruction 2 / 2

IMPORTANT

- * Do not tighten up all the screws until each part is properly assembled.
- * You should keep Hex Wrench in a safe place as you may need to tighten up the Head Cap Bolts in the future.
- * Use a soft cloth between these parts and the floor.



STEP 1

Attach Leg (B) and (C) to Seat (A) with Flat Washers, Spring Washers and Head Cap Bolts. (see Figure 1)
Tighten Head Cap Bolts only halfway.

Attach Front Stretcher (G) to the unit with Wood Screws.

Attach Side Stretcher (F) to Leg (C) and Side Stretcher (E) to Leg (B) with Wood Screws. (see Figure 2)

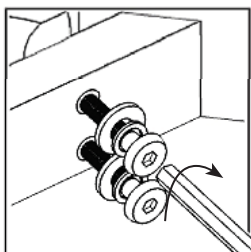


Figure 1

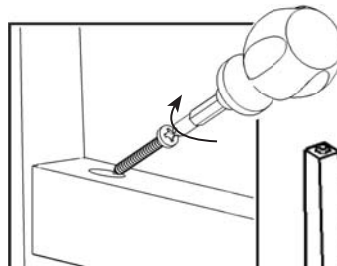


Figure 2

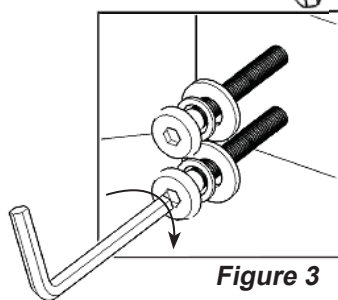


Figure 3

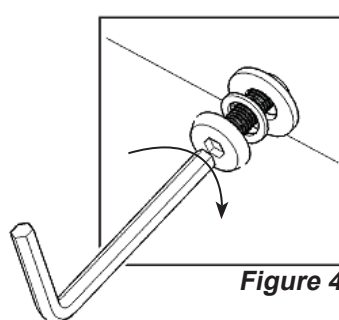


Figure 4

STEP 2

Attach the Back Frame (D) to the unit with Flat Washers, Spring Washers, Head Cap Bolts (Short), Head Cap Bolts (long) and Wood Screws. (see Figures 3 and 4)

Tighten up all Head Cap Bolts.

