

88 5004 991

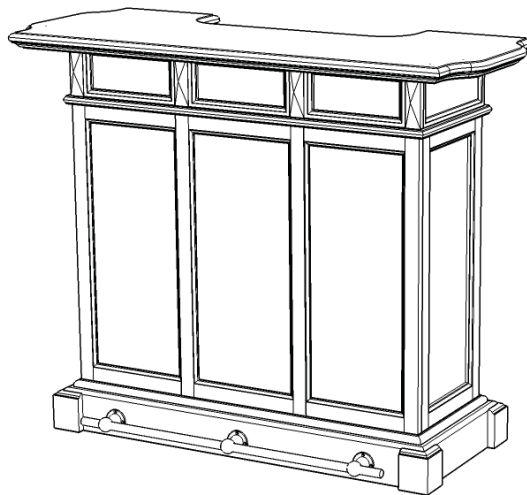
Bar

IMPORTANT NOTE

Carefully remove all the parts from the carton and put them individually on a soft cloth to prevent scratches or other damage occurring to the parts.

We have taken great care in the design of this product and request that you carefully and strictly follow our assembly instructions to ensure a completed product as it was designed.

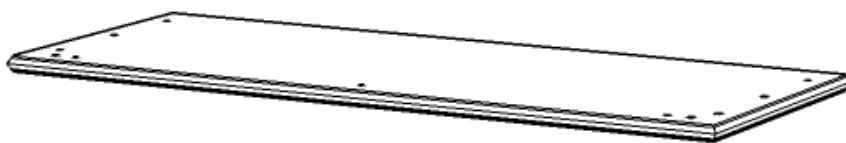
Home
Styles



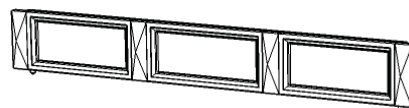
Part List



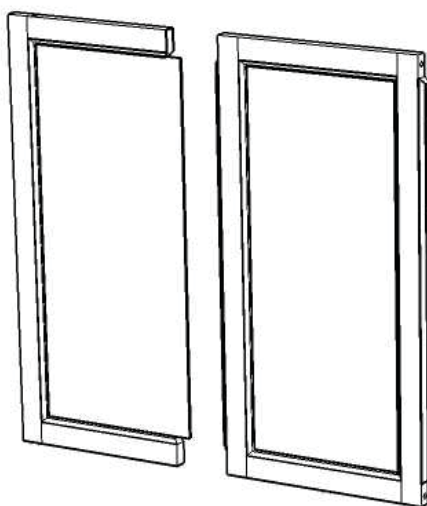
A.
Top
1 Pc.



B.
Sub Top
1 Pc.

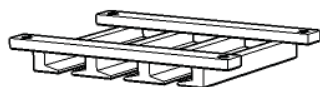


C.
Front Panel
1 Pc.

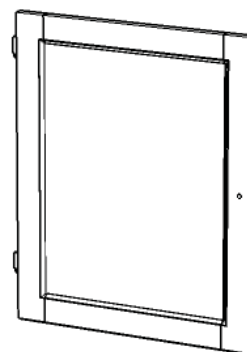


H.
Front Panel
2 Pcs.

I.
Front Panel
1 Pc.



E.
Glass Holder
1 Pc.



N.
Door
1 Pc.

For assembly see instructions in carton 88 5004 992

Home Styles Consumer Assistance: www.homestyles-furniture.com,
servicedesk@homestyles-furniture.com, 888-680-7460, 877-831-0319

88 5004 992

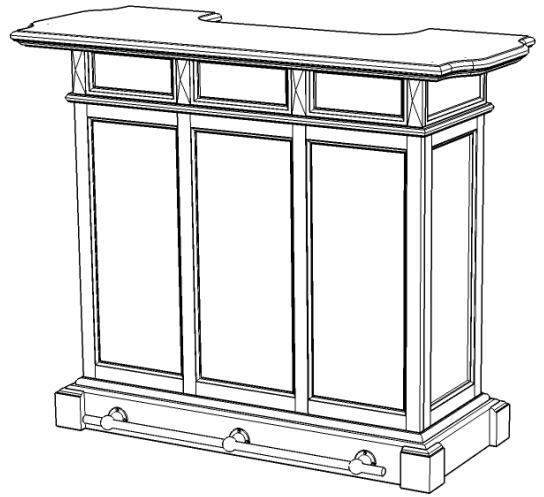
Bar

IMPORTANT NOTE

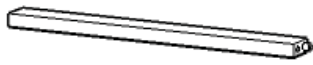
Carefully remove all the parts from the carton and put them individually on a soft cloth to prevent scratches or other damage occurring to the parts.

We have taken great care in the design of this product and request that you carefully and strictly follow our assembly instructions to ensure a completed product as it was designed.

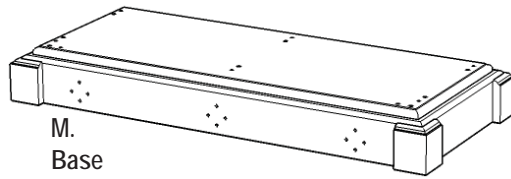
Home Styles



Part List



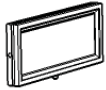
F.
Front Rail
1 Pc.



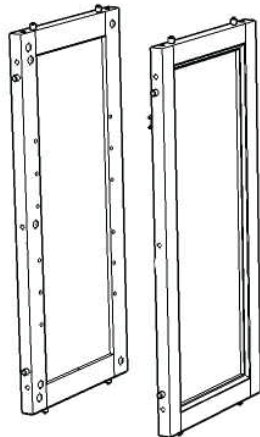
M.
Base
1 Pc.



O.
Shelf
3 Pcs.



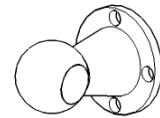
D.
Side Panel
2 Pcs.



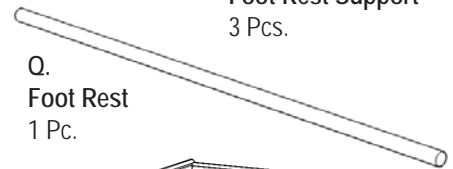
J.
Side Panel
1 Pc.

K.
Side Panel
1 Pc.

L.
Middle Panel
1 Pc.



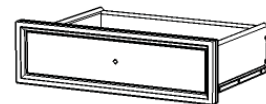
P.
Foot Rest Support
3 Pcs.



Q.
Foot Rest
1 Pc.



G.
Front Rail
1 Pc.



R.
Drawer
1 Pc.

(Please refer to the last page(s) of instructions for steps to complete drawer assembly)

Hardware List



Hex Wrench
1 Pc.



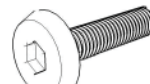
Cam Lock
39 Pcs. (+6 extra)



Adjustable Pin
12 Pcs. (+1 extra)



M3x25
Long Wood Screw
8 Pcs. (+1 extra)



M6x25
Head Cap Bolt
11 Pcs. (+1 extra)



Flat Washer
11 Pcs. (+1 extra)



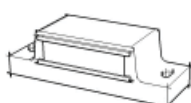
Pull Handle
2 Pcs.



Small Hex Wrench
1 Pc.



Cam Lock Screw
39 Pcs. (+2 extra)



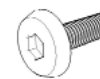
Magnet
1 Pc.



M3x12
Wood Screw
for Magnet
2 Pcs. (+1 extra)



M3x15
Tapered Wood Screw
12 Pcs. (+1 extra)



M6x10
Head Cap Bolt
3 Pcs. (+1 extra)



M4x25
Machine Screw
2 Pcs.

Tools required for assembly : Phillips screwdriver

Tools recommended for assembly : Level

Home Styles Consumer Assistance: www.homestyles-furniture.com,
servicedesk@homestyles-furniture.com, 888-680-7460, 877-831-0319

IMPORTANT

- * Please keep Hex Wrench in a safe place as you may need to tighten up the Head Cap Bolts in the future.
- * Do not tighten up all the bolts until each part is properly assembled.
- * Use a soft cloth between these parts and the floor.
- * After assembly item must be level to work properly. Use the included adjustable levelers to level.

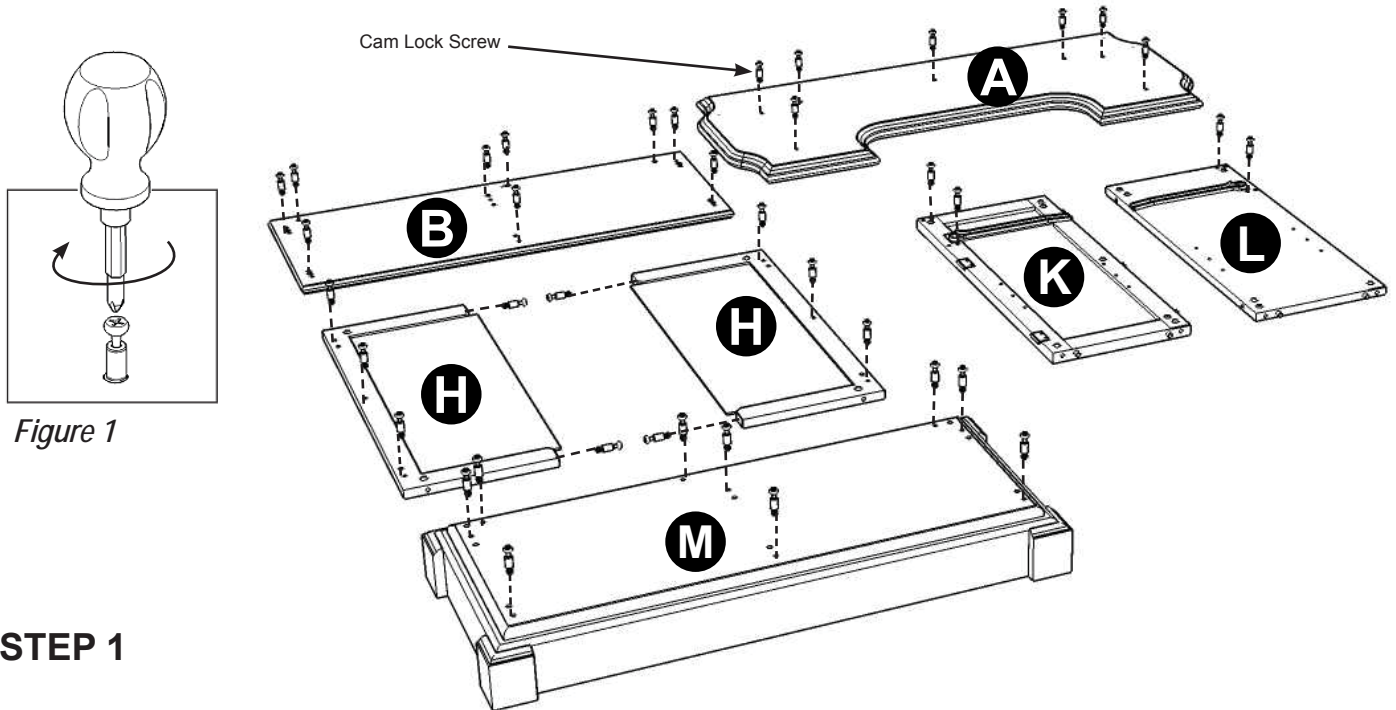
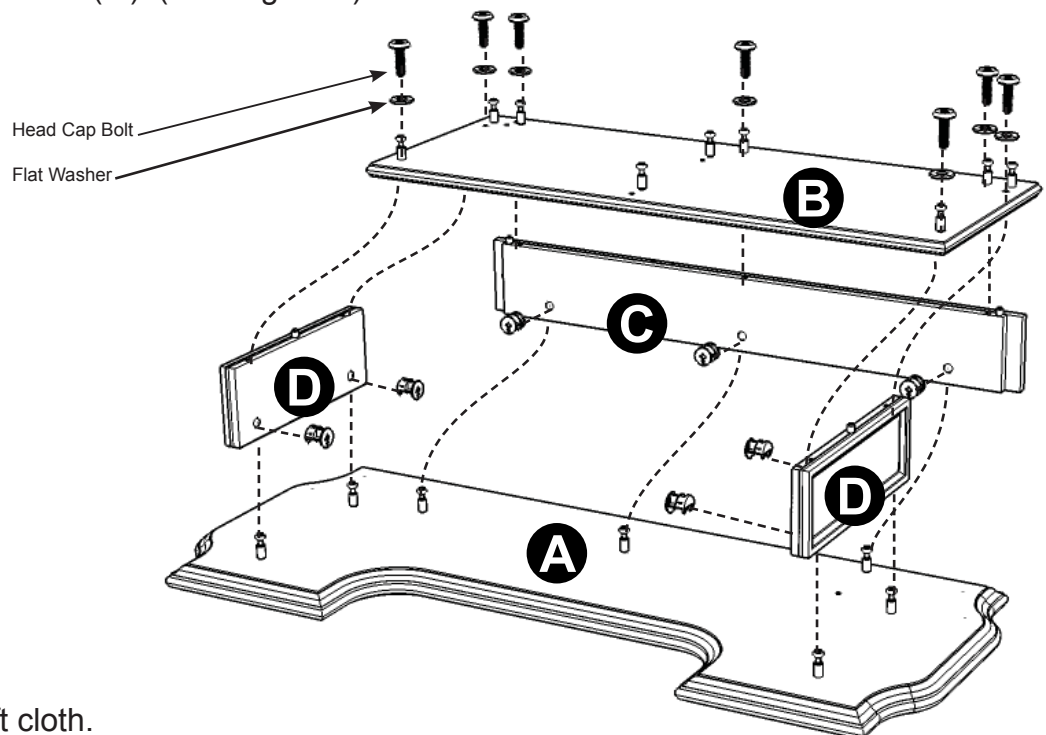


Figure 1

STEP 1

Insert Cam Lock Screws into the pre-drilled holes in Tops (A) and Sub Top (B), Front Panels (H), Side Panel (K), Middle Panel (L), and Base (M). (See Figure 1)

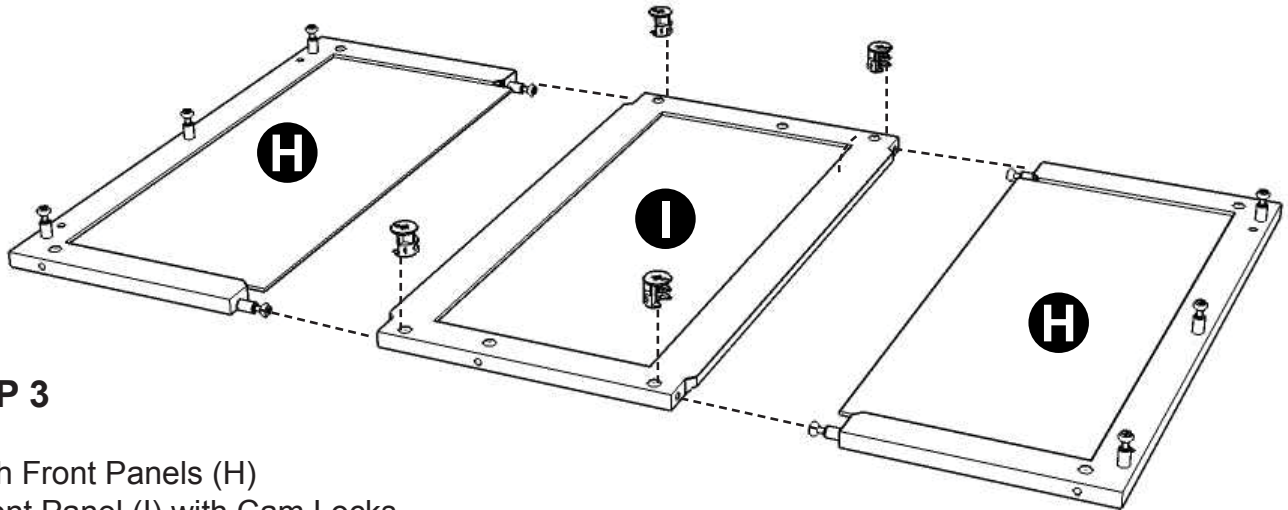


STEP 2

Place Top (A) upside down on a soft cloth.

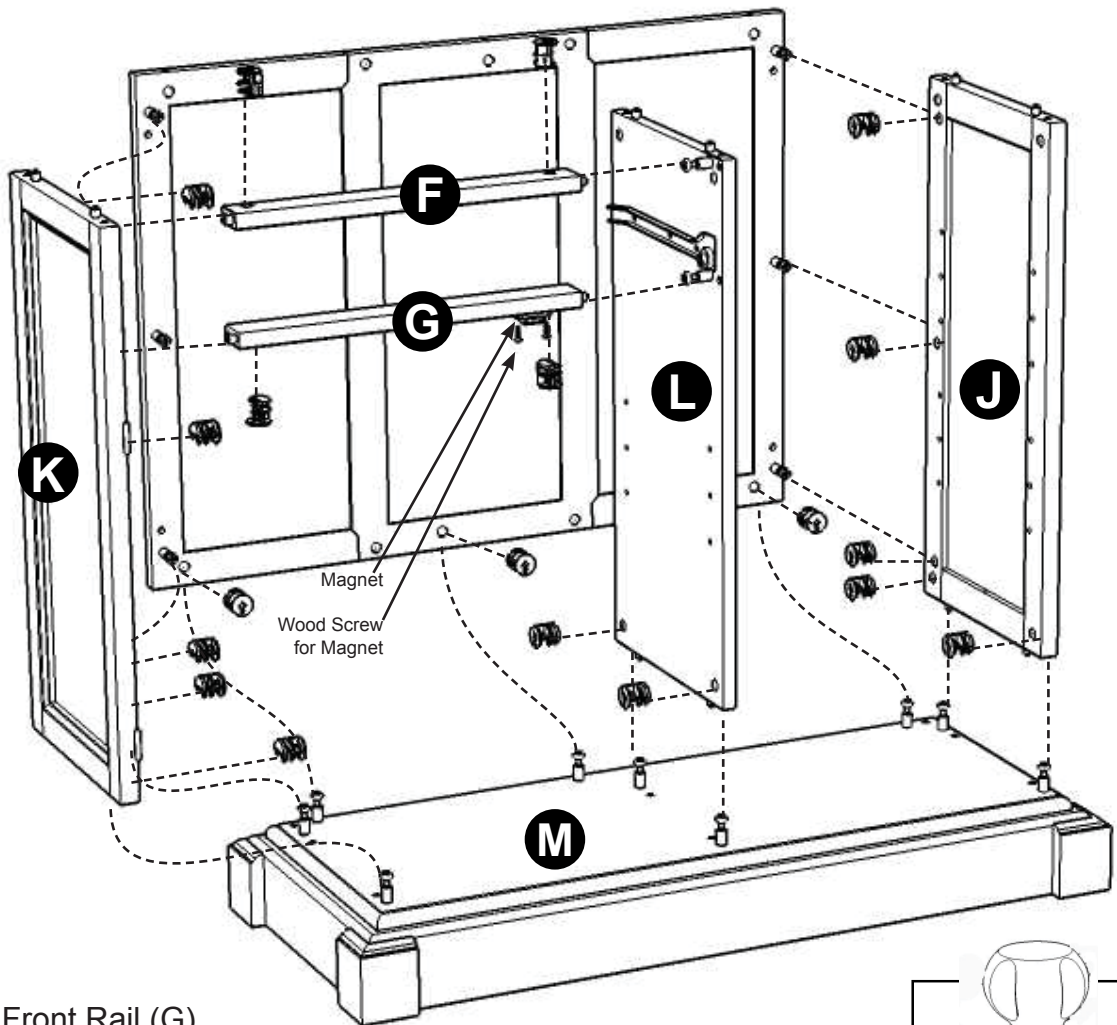
Attach Side Panels (D) and Front Panel (C) to Top (A) with Cam Locks.

Attach Sub Top (B) to top unit with Head Cap Bolts and Flat Washers.



STEP 3

Attach Front Panels (H)
to Front Panel (I) with Cam Locks.



STEP 4

Attach Magnet to Front Rail (G)
with Wood Screws for Magnet.
(See Figure 2)

Attach Side Panel (J) and (K) to unit from Step 3, then attach unit
to Base (M) with Cam Locks.

Attach Front Rails (F) and (G) and Middle Panel (L) to unit with Cam Locks.

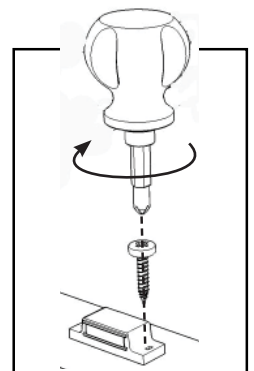


Figure 2

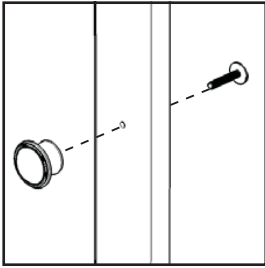


Figure 3

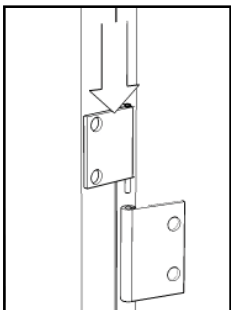
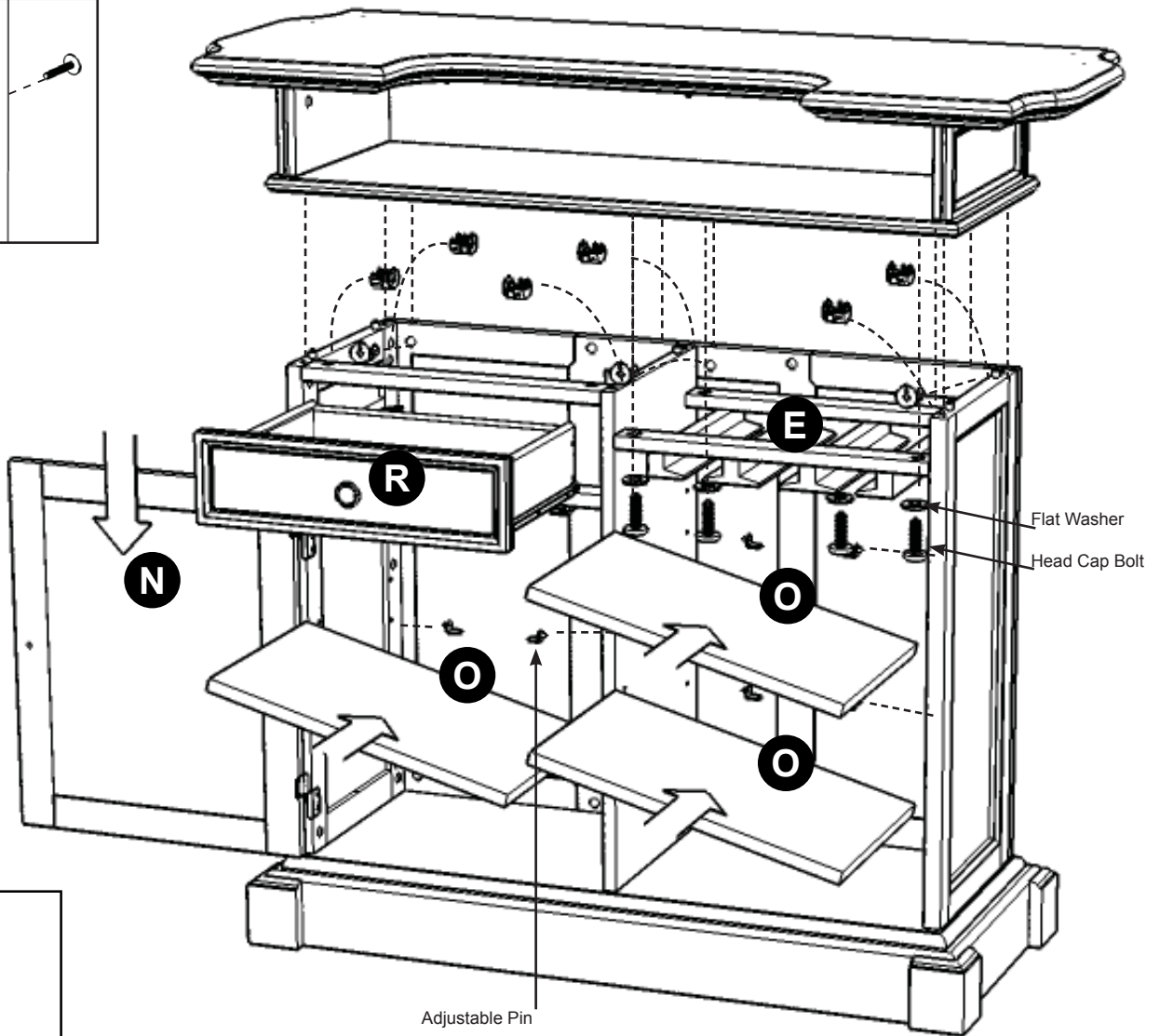


Figure 4

STEP 5

Insert Adjustable Pins into side panels and middle panel at the desired level.

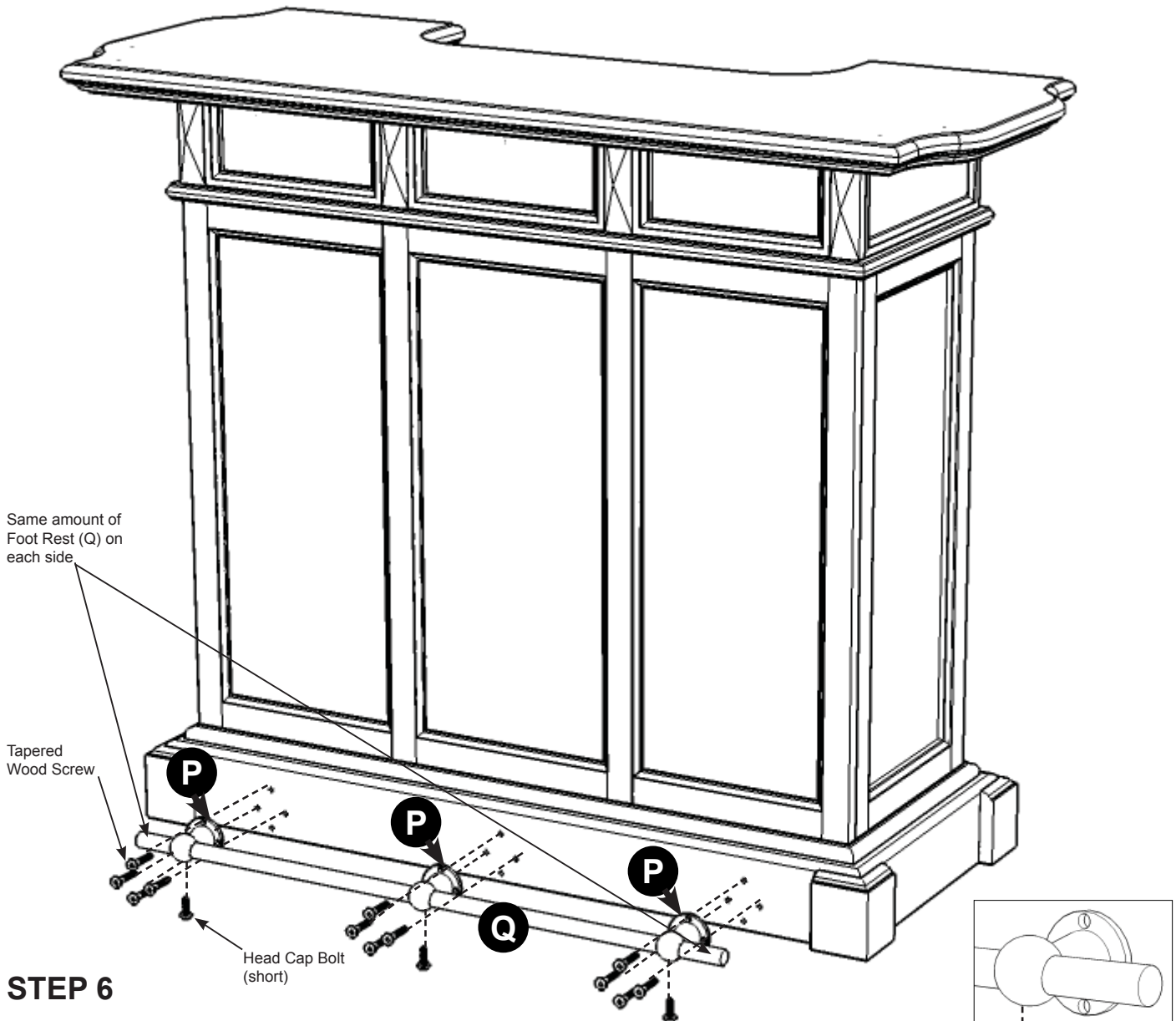
Slide Shelves (O) into position.

Attach top unit to body unit with Cam Locks, then attach Glass Holder (E) to unit with Head Cap Bolts and Flat Washers.

Attach Pull Handle to Door (N) with Machine Screw. (See Figure 3)

Attach Door (N) to unit by sliding the door lift hinges into the side panel lift hinges. (See Figure 4)

Slide Drawer (R) into place.



STEP 6

Slide Foot Rest (Q) into the Foot Rest Supports (P).

Attach Foot Rest Supports (P) to unit at the pre-drilled holes with Tapered Wood Screws.

Attach Foot Rest (Q) to Foot Rest Supports (P) with Head Cap Bolts (short), leaving the same amount of Foot Rest (Q) protruding on the outside of the outer Foot Rest Supports (P). (See Figure 5)

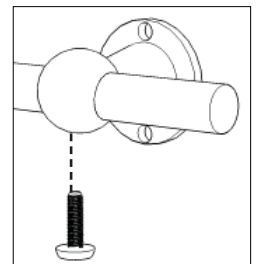


Figure 5

STEP 7

To level the unit, adjust the adjustable levelers on the bottom of the unit. (See Figure 6)

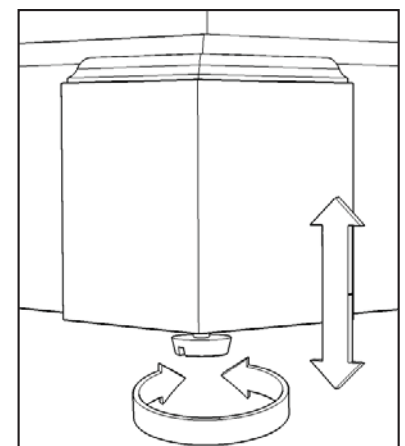


Figure 6

Note: Unit must be level to work properly.

Drawer R

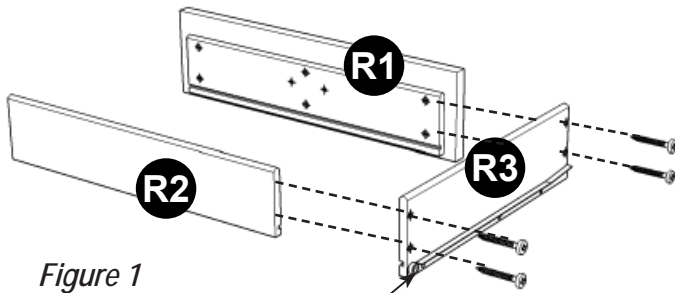
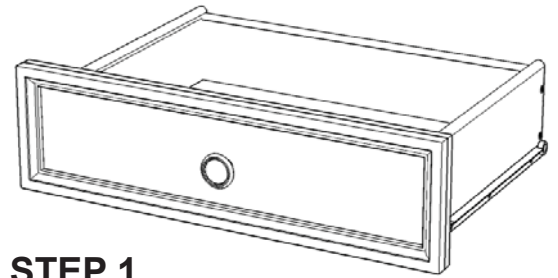


Figure 1

MAKE SURE ROLLER IS ON THE BACK



STEP 1

Attach Side Part R3 to Front Part (R1) and Back Part (R2) using a Phillips screwdriver and long wood screws (4X), tighten halfway. (See Figure 1)

STEP 2

Insert Base Part (R5) into the groove.

Attach Side Part (R4) to Front Part (R1) and Back Part (R2) using a Phillips screwdriver and long wood screws (4X). (See Figure 2)

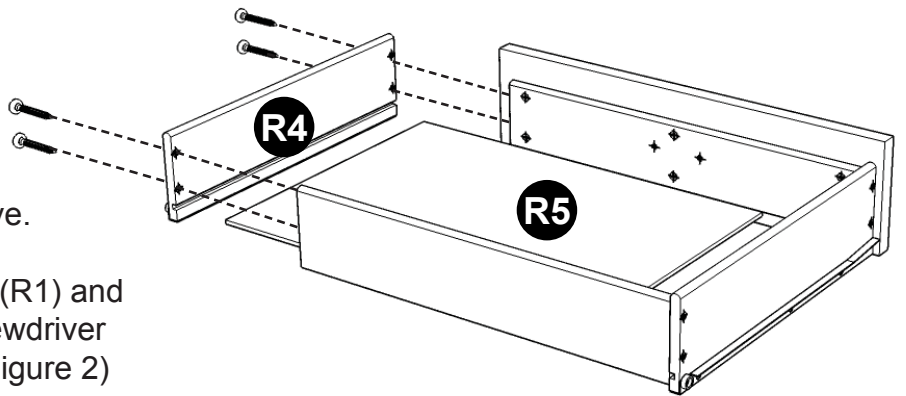


Figure 2

Tighten all wood screws used in drawer assembly.

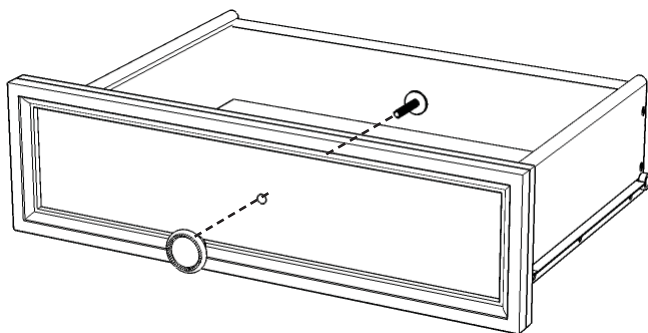
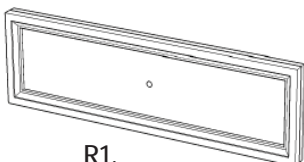


Figure 3

STEP 3

Attach Drawer Handles with Machine Screws. (See Figure 3)

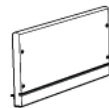
Part List



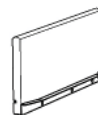
R1.
Front Part
1 Pc.



R2.
Back Part
1 Pc.



R3.
Side Part
1 Pc.



R4.
Side Part
1 Pc.



R5.
Base Part
1 Pc.