

# 88 5053 16

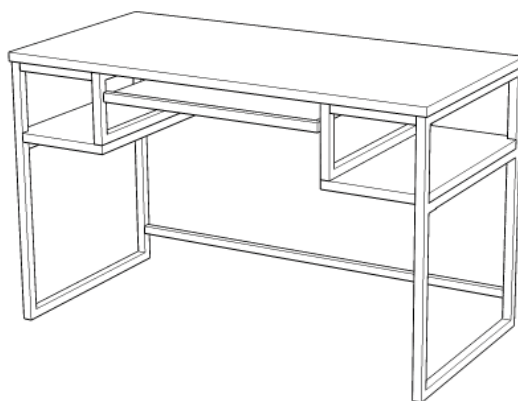
## Student Desk

### IMPORTANT NOTE

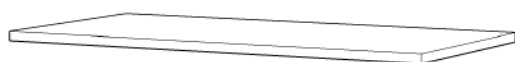
Carefully remove all the parts from the carton and put them individually on a soft cloth to prevent scratches or other damage occurring to the parts.

We have taken great care in the design of this product and request that you carefully and strictly follow our assembly instructions to ensure a completed product as it was designed.

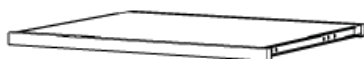
*Home Styles*



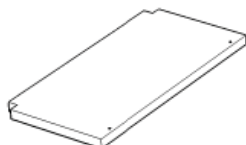
### Part List



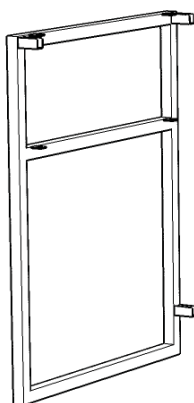
A.  
Top  
1 Pc.



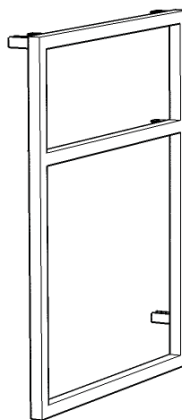
B.  
Keyboard  
1 Pc.



C.  
Shelf  
2 Pcs.



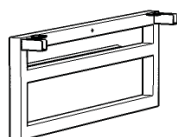
D.  
Side Frame  
1 Pc.



E.  
Side Frame  
1 Pc.



F.  
Frame  
1 Pc.



G.  
Frame  
1 Pc.



H.  
Stretcher  
4 Pcs.



I.  
Stretcher  
1 Pc.

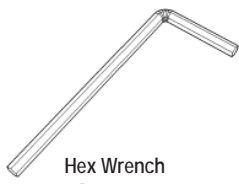


J.  
Stretcher  
1 Pc.



K.  
Stretcher  
1 Pc.

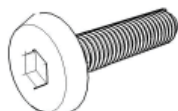
### Hardware List



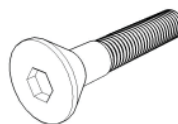
Hex Wrench  
1 Pc.



Small Hex Wrench  
1 Pc.



M6x13  
Head Cap Bolt  
40 Pcs. (+1 extra)



M6x38  
Tapered  
Head Cap Bolt  
6 Pcs. (+1 extra)



Spring Washer  
40 Pcs. (+1 extra)



Flat Washer  
40 Pcs. (+1 extra)

*Tools recommended for assembly : Level*

*Home Styles Consumer Assistance: [www.homestyles-furniture.com](http://www.homestyles-furniture.com),  
servicedesk@homestyles-furniture.com, 888-680-7460, 877-831-0319*

# Assembly Instructions 2/4

**IMPORTANT**

- \* Please keep Hex Wrench in a safe place as you may need to tighten up the Head Cap Bolts in the future.
- \* Do not tighten up all the bolts until each part is properly assembled.
- \* Use a soft cloth between these parts and the floor.
- \* After assembly item must be level to work properly. Use the included adjustable levelers to level.

**STEP 1**

Attach Stretcher (I) to Frame (F) with Tapered Head Cap Bolt. (See Figure 1)

Attach Stretcher (K) to Frame (F) with Head Cap Bolts, Spring Washers and Flat Washers. (See Figure 2)

Attach Frame (G) to unit with Head Cap Bolts, Spring Washers, Flat Washers and Tapered Head Cap Bolt.

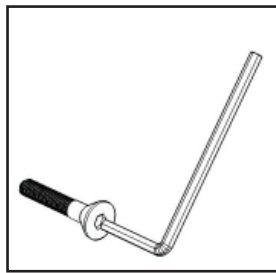


Figure 1

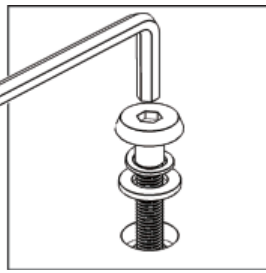
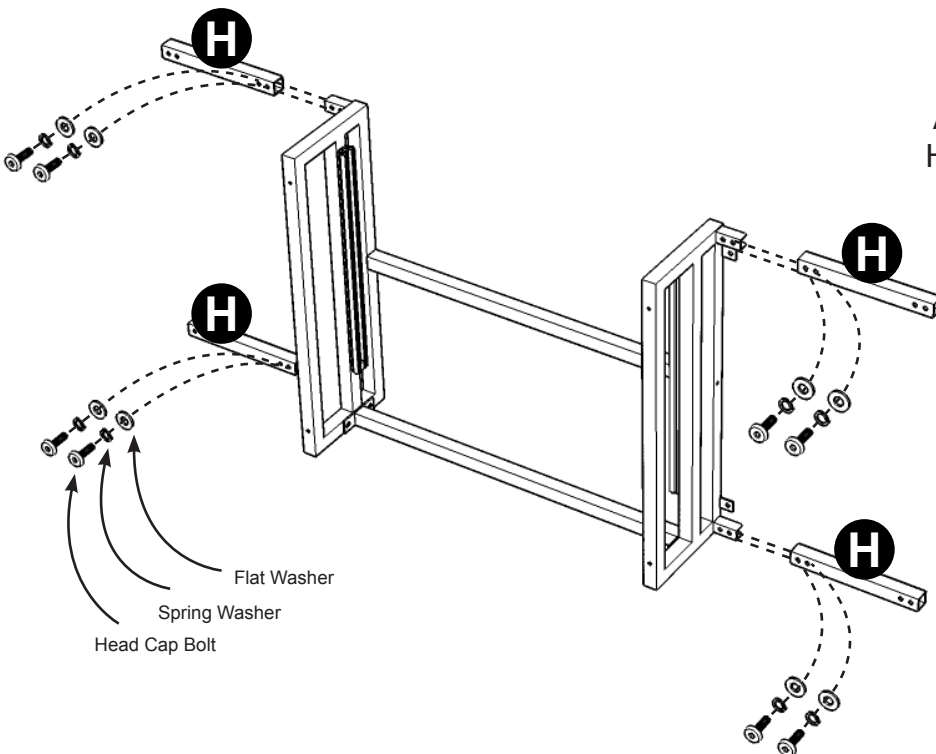
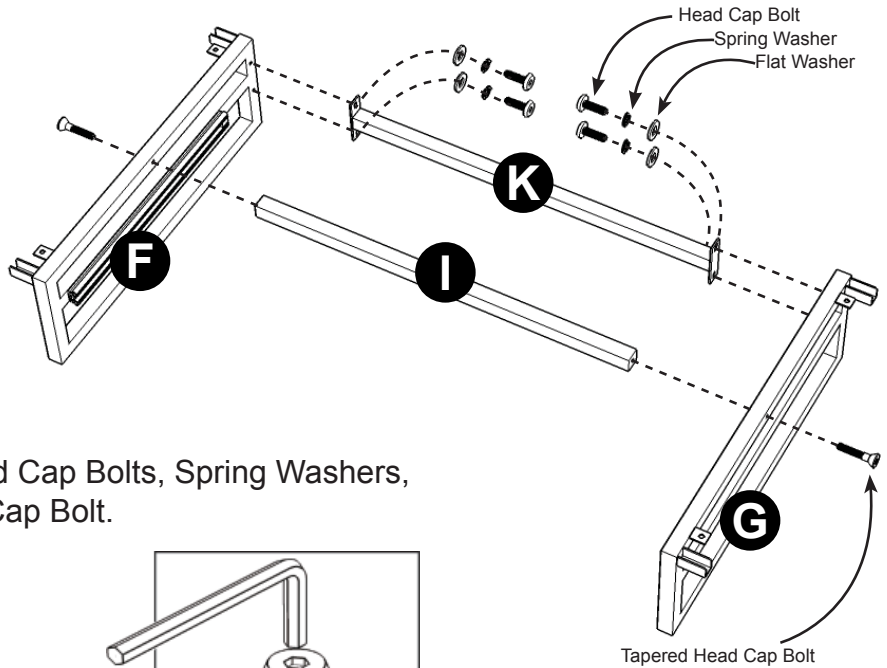


Figure 2



**STEP 2**

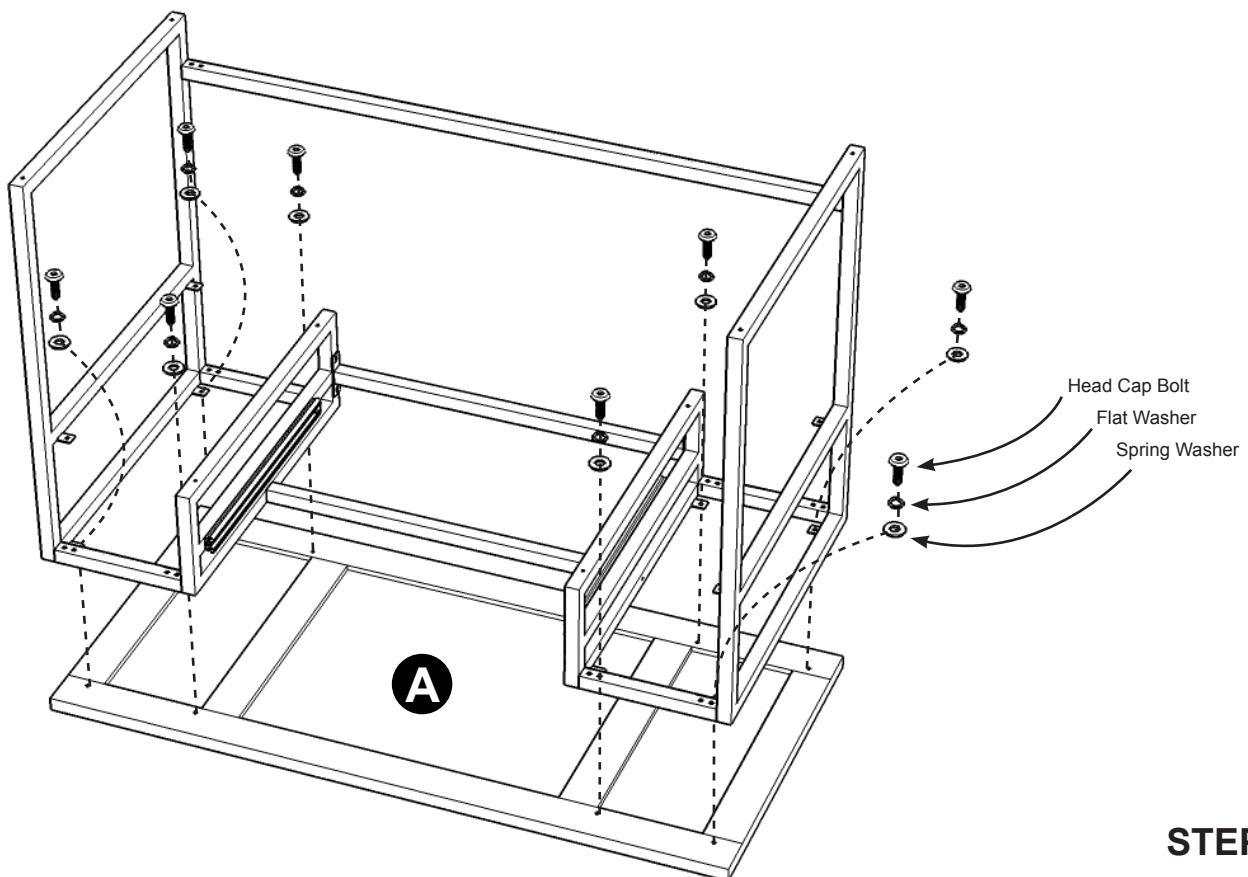
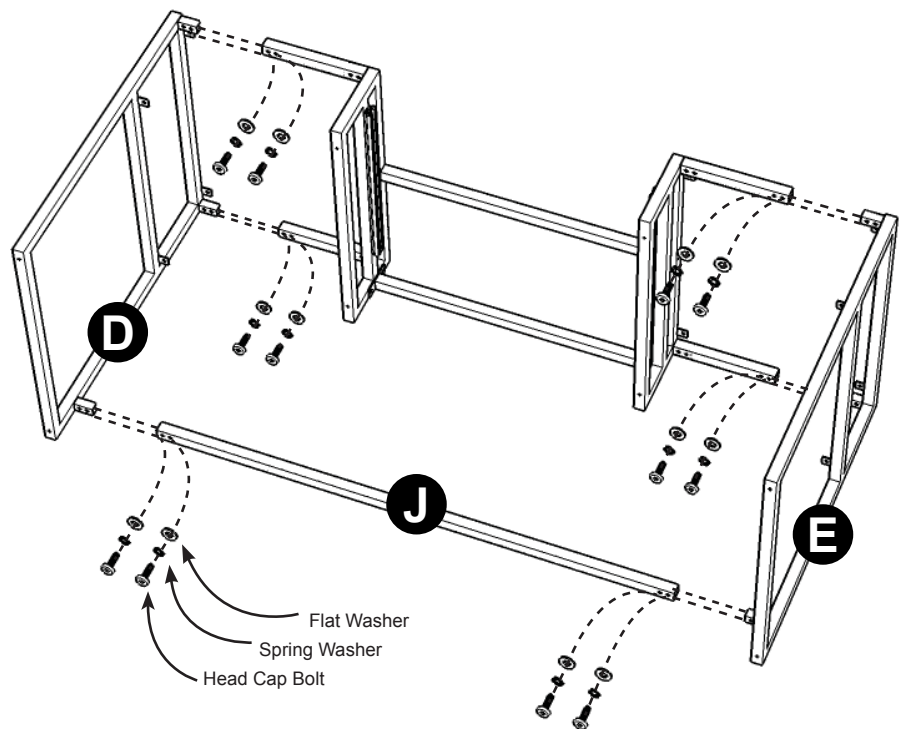
Attach Stretchers (H) to unit with Head Cap Bolts, Spring Washers and Flat Washers.

## STEP 3

Attach Side Frame (D) to unit with Head Cap Bolts, Spring Washers and Flat Washers.

Attach Stretcher (J) to unit with Head Cap Bolts, Spring Washers and Flat Washers.

Attach Side Frame (E) to unit with Head Cap Bolts, Spring Washers and Flat Washers.



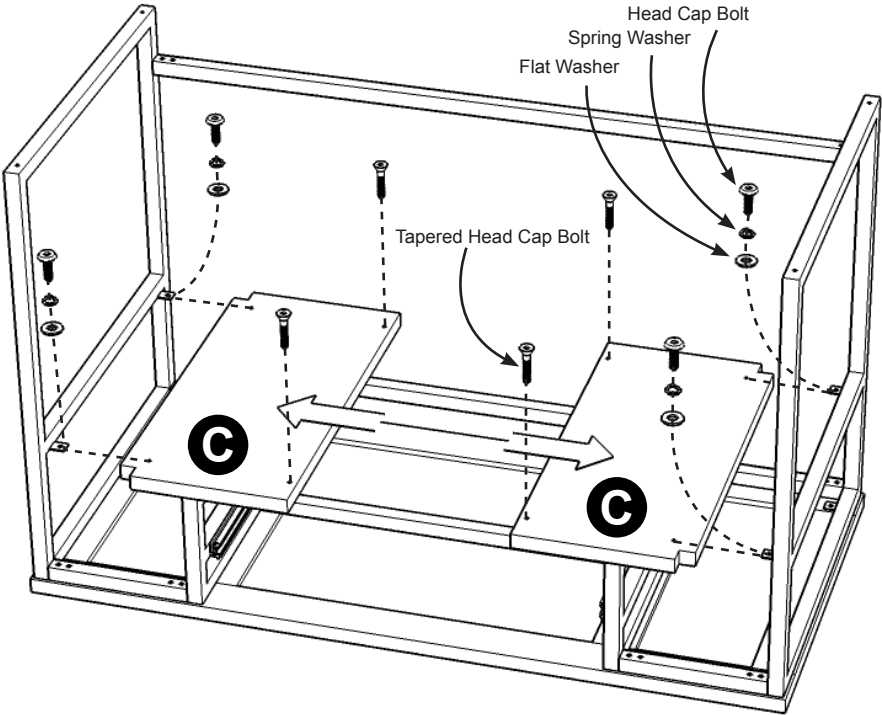
## STEP 4

Place Top (A) upside down on a soft cloth.

Attach unit to Top (A) with Head Cap Bolts, Spring Washers and Flat Washers.

## STEP 5

Attach Shelves (C) to unit with Head Cap Bolts, Spring Washers, Flat Washers and Tapered Head Cap Bolts.



## STEP 6

Turn the unit over to its' upright position.

Slide Keyboard (B) into position.

If you want to remove the keyboard in the future, push the plastic lever on its' left side up, push the plastic lever on its' right side down and pull open slowly. (See Figure 3)

To level the unit, adjust the adjustable levelers on the bottom of unit. (See Figure 4)

**Note: Unit must be level to work properly.**

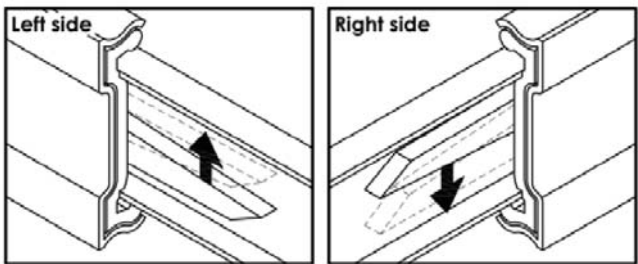
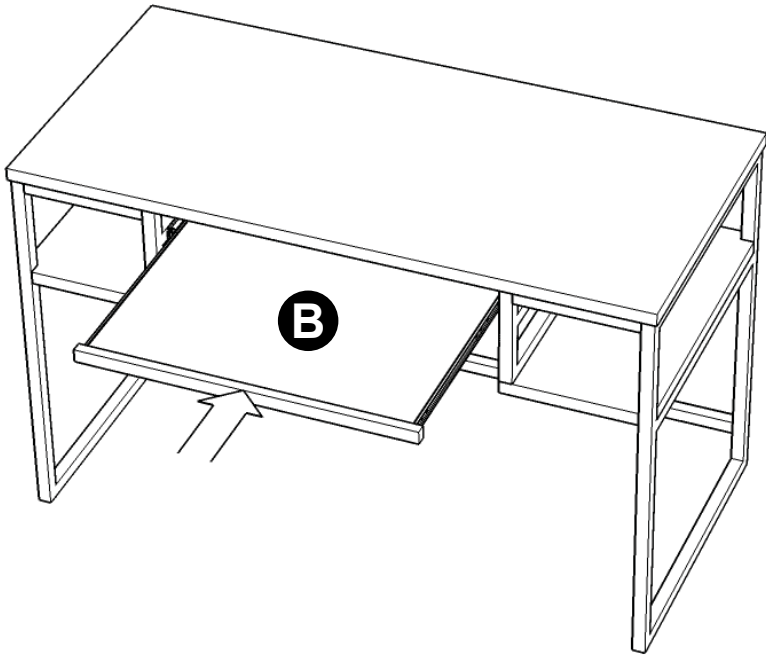


Figure 3

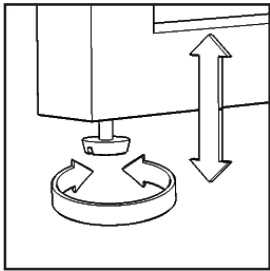


Figure 4