

88 5522 16 Student Desk

IMPORTANT NOTE

Carefully remove all the parts from the carton and put them individually on a soft cloth to prevent scratches or other damages occurring to the parts.

We have taken great care in the design of this product and request that you carefully and strictly follow our assembly instructions to ensure a completed product as it was designed.

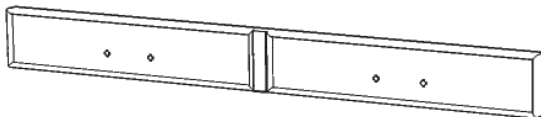
*Home
Styles*



PART LIST



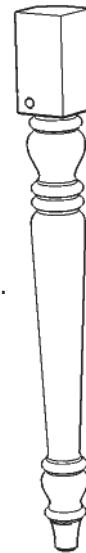
A.
Top Section
1 pc.



E.
Drawer Front
1 pc.



B.
Leg
1 pc.

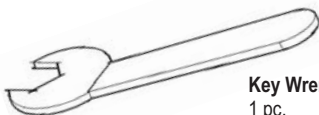


C.
Leg
1 pc.



D.
Leg
2 pcs.

HARDWARE LIST



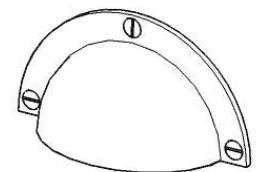
Key Wrench
1 pc.



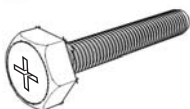
Spring Washer
8 pcs. (+1 extra)



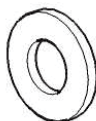
**M4x32
Machine Screw**
4 pcs. (+1 extra)



Pull Handle
2 pcs.



**M8x45
Bolt**
8 pcs. (+1 extra)



Flat Washer
8 pcs. (+1 extra)



**M3x10
Wood Screw**
9 pcs. (+1 extra)

Tools Required For Assembly : Phillips screwdriver

Home Styles Consumer Assistance: www.homestyles-furniture.com,
servicedesk@homestyles-furniture.com, 888-680-7460, 877-831-0319

Assembly Instructions 2/3

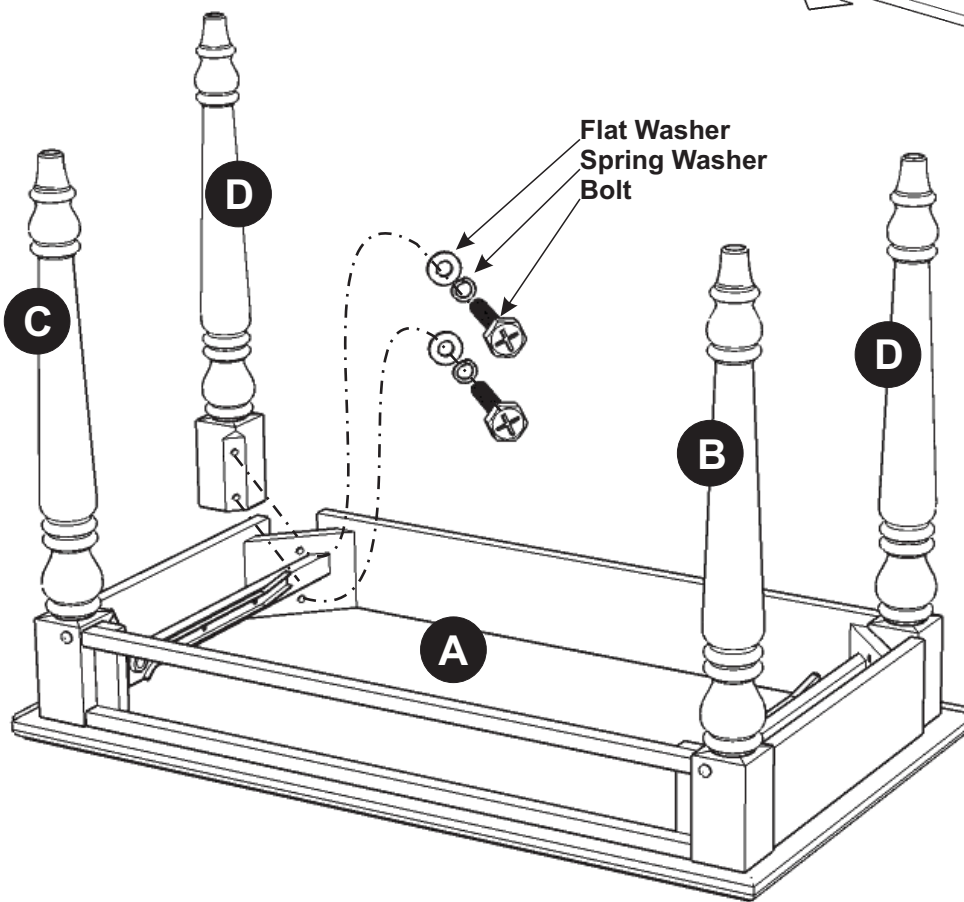
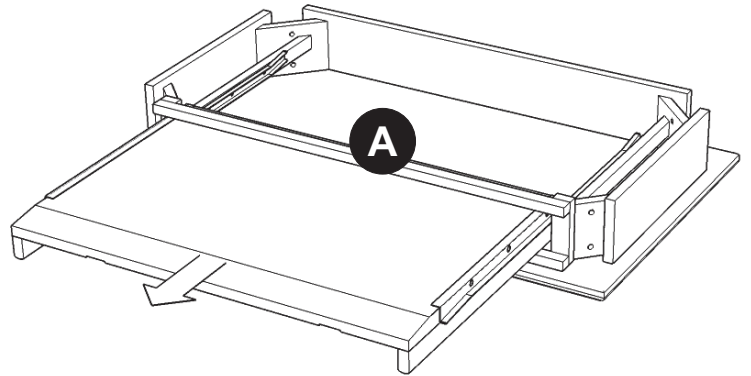
IMPORTANT

- * Do not tighten up all the screws until each part is properly assembled.
- * You should keep Key Wrench in a safe place as you may need to tighten up the Bolts in the future.
- * Use a soft cloth between these part and the floor.
- * After assembly, item must be level to work properly. Use the included adjustable levelers to level.

STEP 1

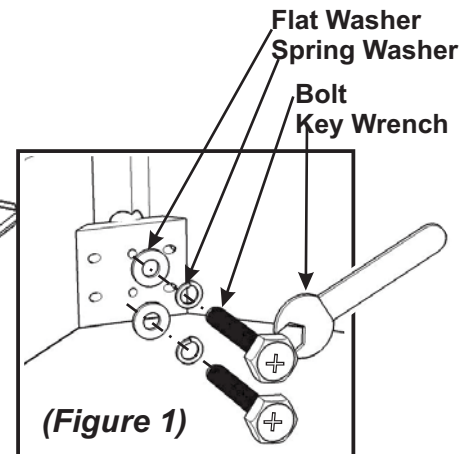
Turn the Top Section (A) upside down and place it on a soft cloth.

Remove the drawer box.



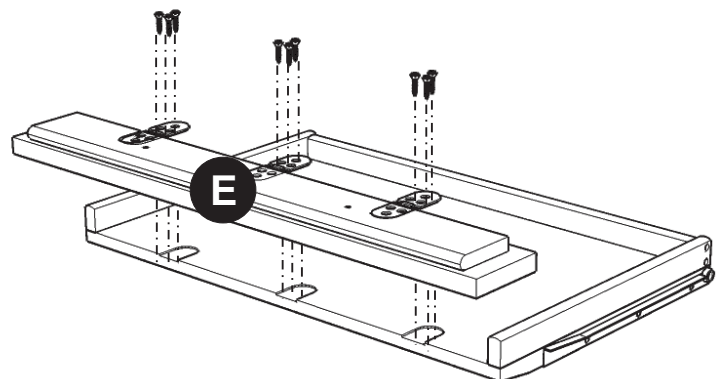
STEP 2

Attach Legs (B), (C) and (D) to Top Section (A) with Flat Washers, Spring Washers and Bolts. (See Figure 1)



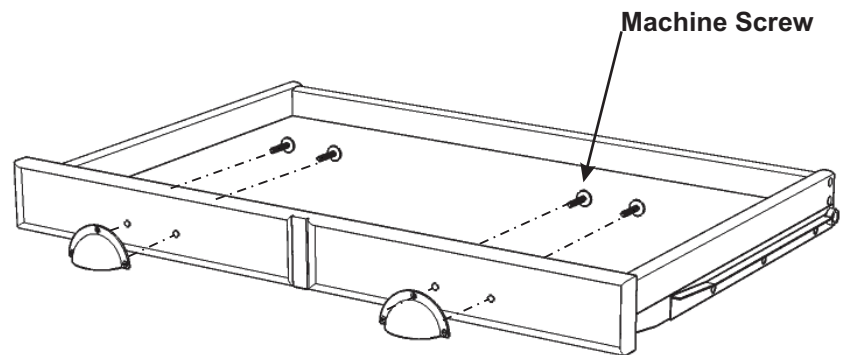
STEP 3

Attach Drawer Front (E) to drawer box with Wood Screws.



STEP 4

Attach Pull Handles to drawer with Machine Screws.



STEP 5

Turn the unit over to its' upright position.

Slide the drawer into position.

To level the unit, adjust the adjustable levelers on the bottom of the legs. (See Figure 2)

Note: Unit must be level to work properly.

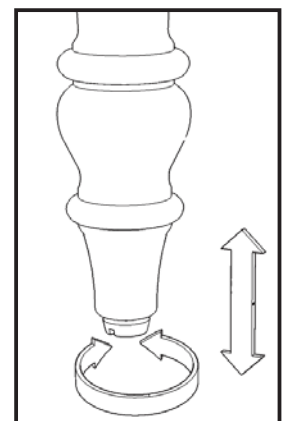


Figure 2