

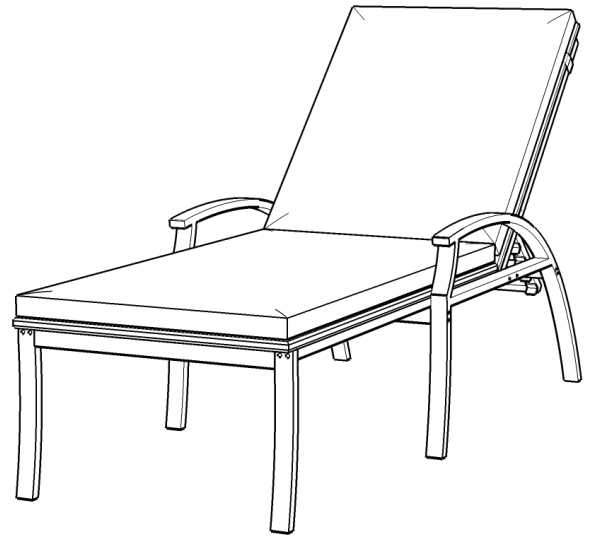
# 88 5600 83 Chaise Lounge

## IMPORTANT NOTE

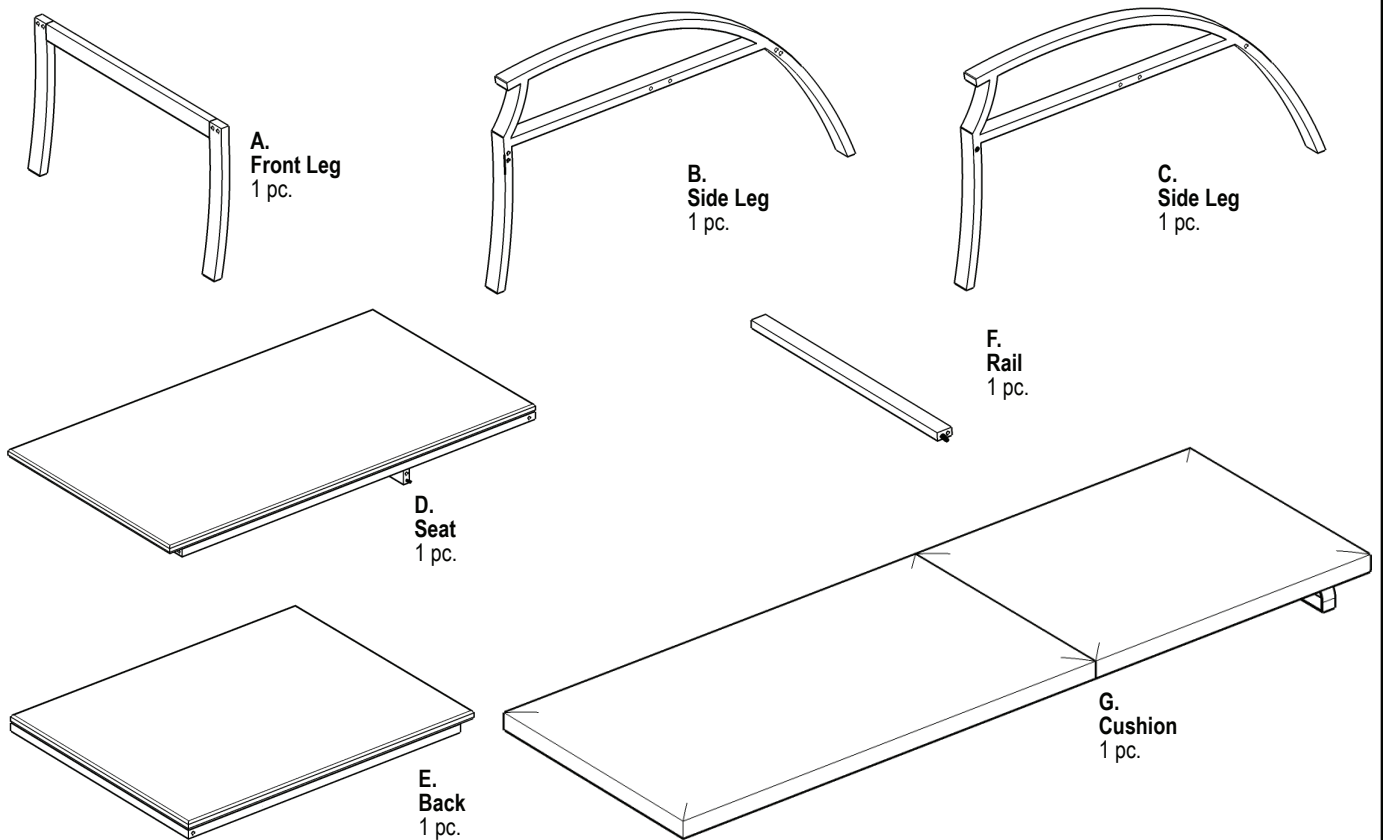
Carefully remove all the parts from the carton and put them individually on a soft cloth to prevent scratches or other damages occurring to the wood parts.

We have taken great care in the design of this product and request that you carefully and strictly follow our assembly instructions to ensure a completed product as it was designed.

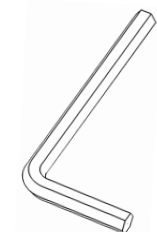
Home  
Styles



## Part List



## Hardware List



Hex Wrench  
1 pc.



Small  
Hex Wrench  
1 pc.



M6x35  
Head Cap Bolt  
12 pcs. (+1 extra)



Plug  
12 pcs. (+1 extra)

Tools required for assembly : Phillips screwdriver

Home Styles Consumer Assistance: [www.homestyles-furniture.com](http://www.homestyles-furniture.com),  
[servicedesk@homestyles-furniture.com](mailto:servicedesk@homestyles-furniture.com), 888-680-7460, 877-831-0319

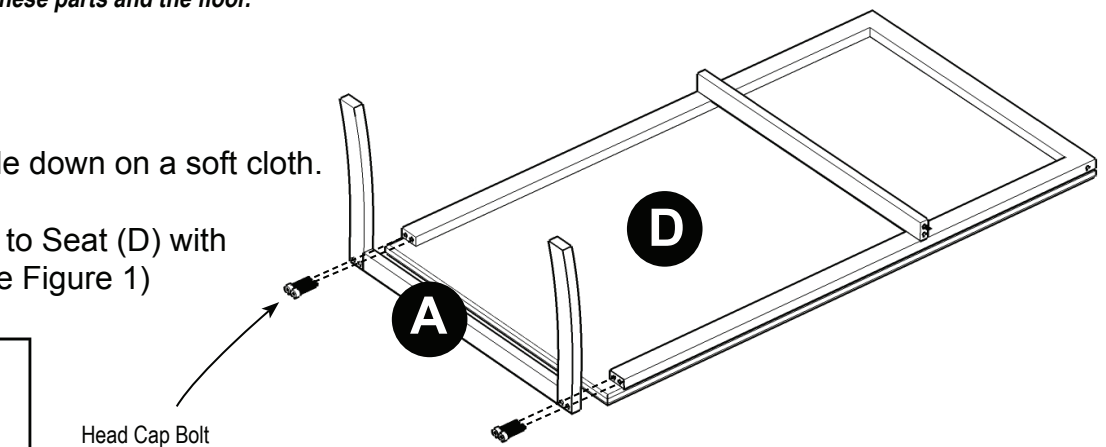
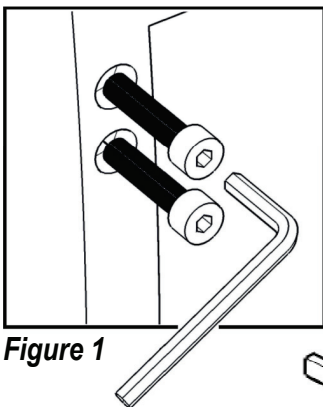
**IMPORTANT**

- \* Do not tighten up all the bolts until each part is properly assembled.
- \* You should keep Hex Wrench in a safe place as you may need to tighten up the Head Cap Bolts in the future.
- \* Use a soft cloth between these parts and the floor.

## STEP 1

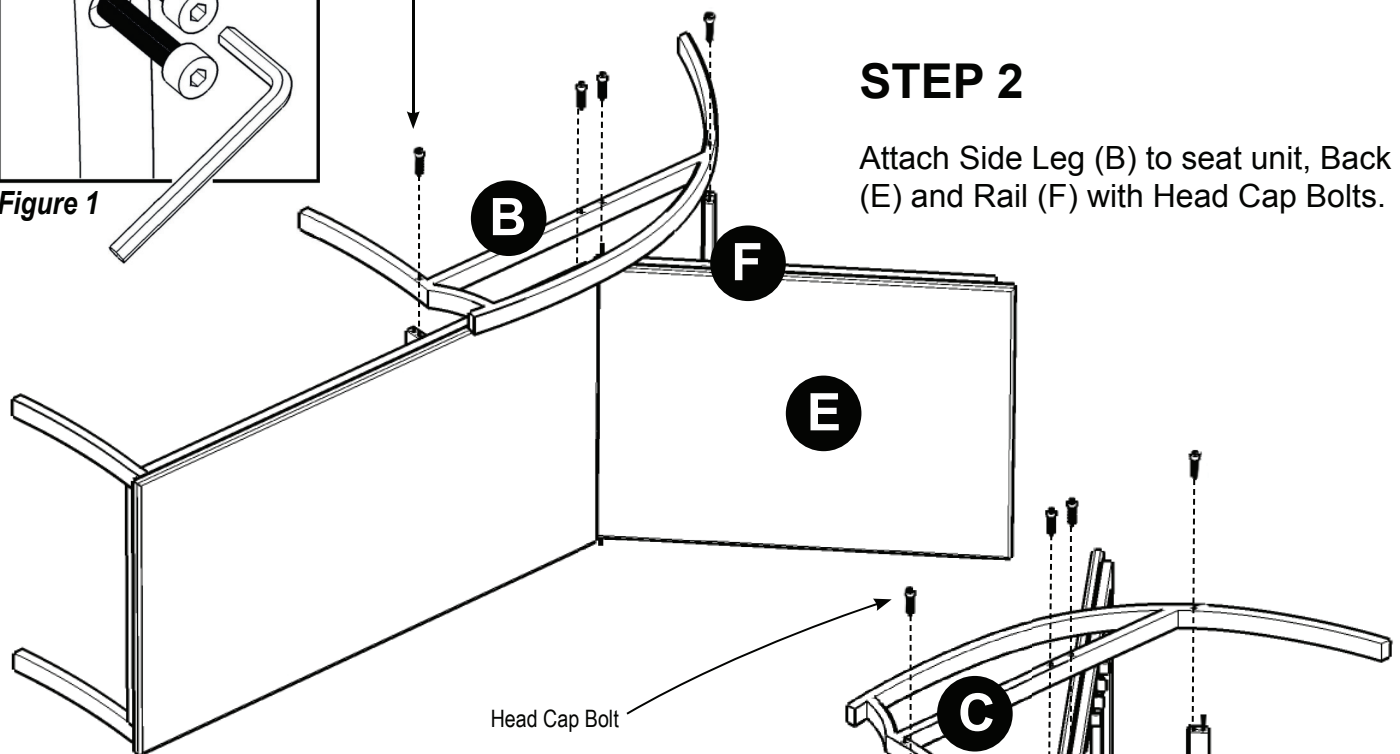
Place Seat (D) upside down on a soft cloth.

Attach Front Leg (A) to Seat (D) with Head Cap Bolts. (see Figure 1)



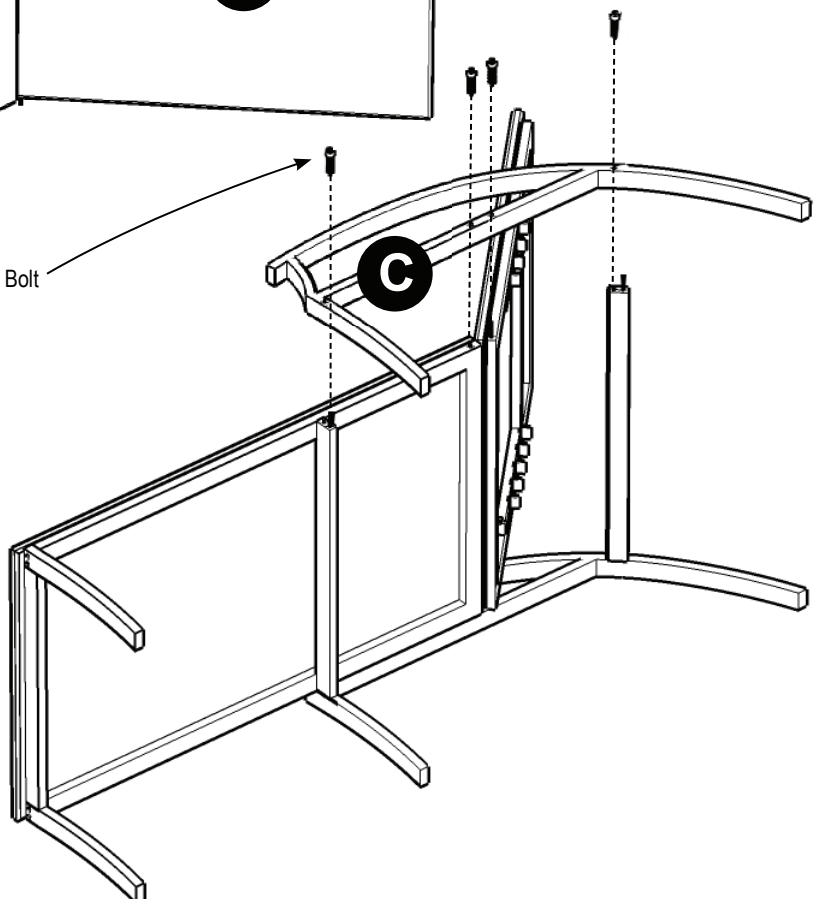
## STEP 2

Attach Side Leg (B) to seat unit, Back (E) and Rail (F) with Head Cap Bolts.



## STEP 3

Attach Side Leg (C) to unit with Head Cap Bolts.



## STEP 3

Cover all bolt holes with Plugs. (see Figure 2)

Plastic Plug

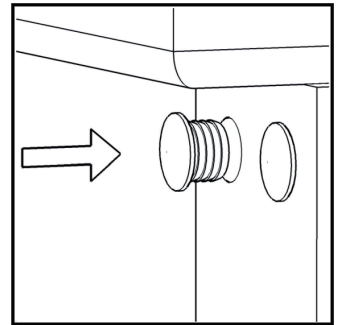


Figure 2

## STEP 4

Place Cushion (G) onto the unit and wrap the cushion strap around the back of the unit.

G

## STEP 5

The back of the unit is adjustable.

