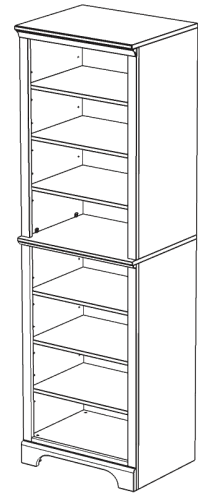


# Closet Wall Shelf Unit



## IMPORTANT

Carefully remove all the parts from the carton and place them individually on a soft cloth to prevent scratches or other damage.

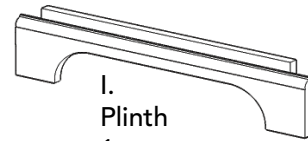
Carefully and strictly follow these assembly instructions to ensure a completed product as designed.

Do not use power tools above 8 volts to assemble.

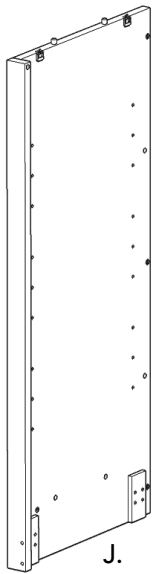
## Part List



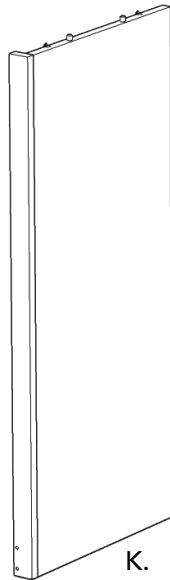
H.  
Front Rail  
1 pc.



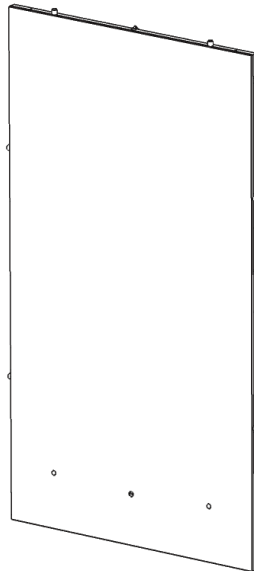
I.  
Plinth  
1 pc.



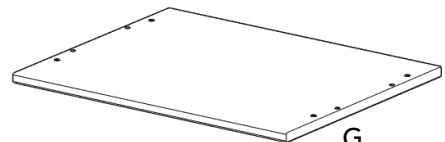
J.  
Side Panel  
1 pc.



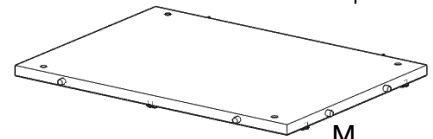
K.  
Side Panel  
1 pc.



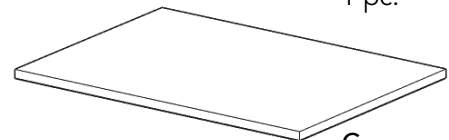
L.  
Back Panel  
1 pc.



G.  
Top  
1 pc.

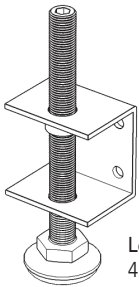


M.  
Bottom  
1 pc.

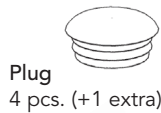


C.  
Shelf  
3 pcs.

## Hardware List



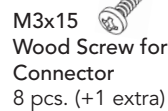
Leveler  
4 pcs.



Plug  
4 pcs. (+1 extra)



Hex Wrench  
1 pc.



M3x15  
Wood Screw for  
Connector  
8 pcs. (+1 extra)



M3x19  
Wood Screw for  
Leveler  
16 pcs. (+1 extra)



Adjustable Pin  
24 pcs. (+1 extra)



M3x25  
Wood Screw (long)  
6 pcs. (+1 extra)



Connector  
2 pcs.

**Carton 88 5530 761 is also needed for assembly.**

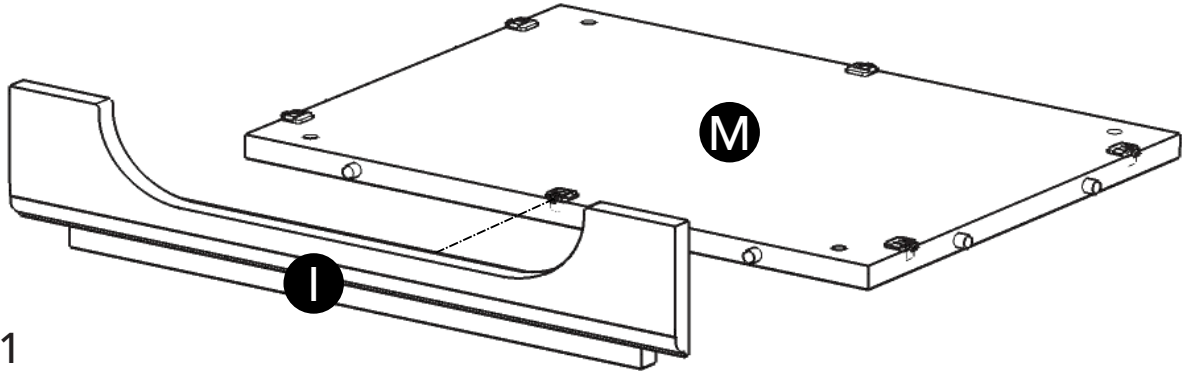
Tool(s) required for assembly: Phillips screwdriver, Level, Drill (8 volts or less), 3/8" Drill Bit

Home Styles Customer Service: [www.homestyles-furniture.com](http://www.homestyles-furniture.com),  
[servicedesk@homestyles-furniture.com](mailto:servicedesk@homestyles-furniture.com), 888-680-7460, 877-831-0319

## Assembly Instructions 2/7

### IMPORTANT

- Use a soft cloth between these parts and the floor.
- Do not use power tools above 8 volts to assemble.
- Do not tighten all the bolts until each part is properly assembled.
- The unit must be level to work properly. Use the included adjustable levelers to level.
- Keep Hex Wrench in a safe place as the bolts may need to be tightened up in the future.



### STEP 1

Attach Plinth (I) to Bottom (M), then flip the lock. (See Figure 1)

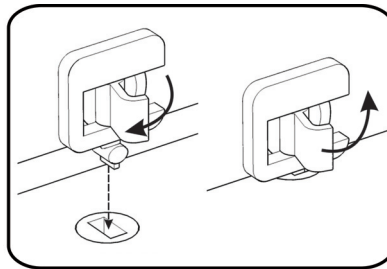
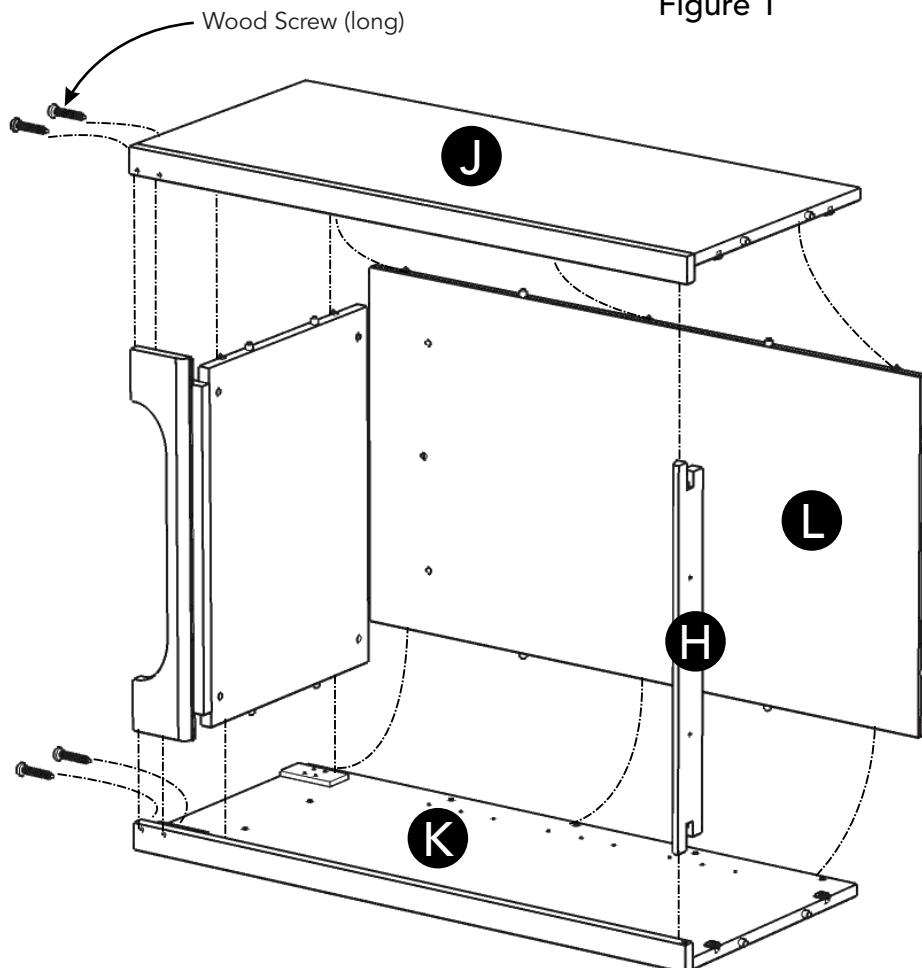


Figure 1



### STEP 2

Attach unit to Side Panel (K), then flip the locks.

Attach Back Panel (L) to unit, then flip the locks.

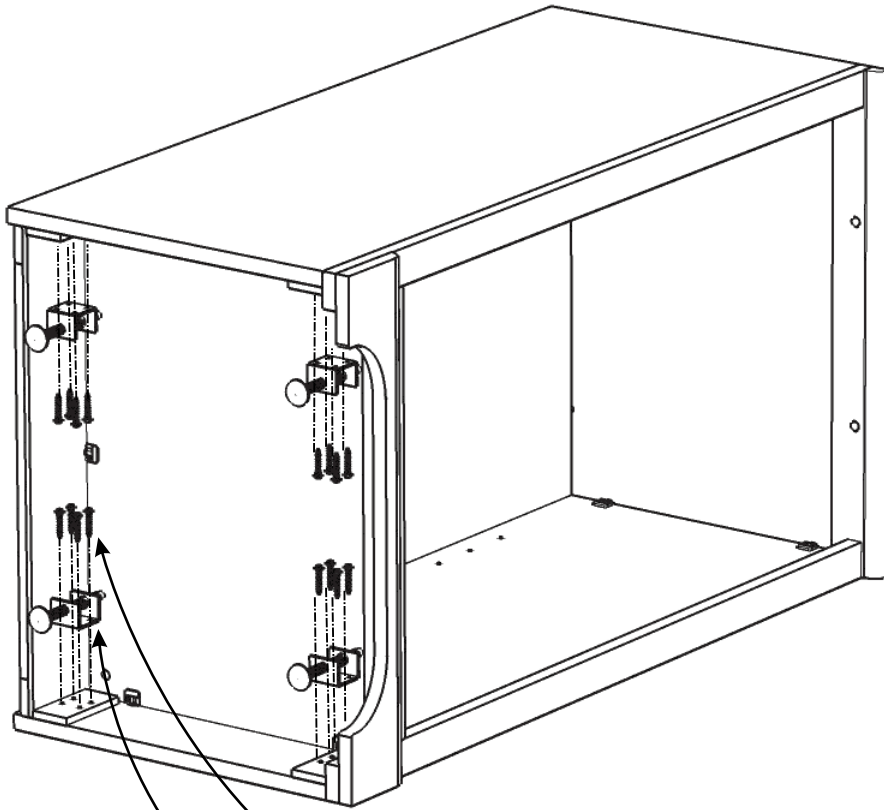
Attach Front Rail (H) to unit.

Attach Side Panel (J) to unit with Wood Screws (long), then flip the locks.

# Assembly Instructions 3/7

## STEP 3

Attach Levelers to bottom of unit with Wood Screws for Levelers. (See Figure 2)



Wood Screw for Leveler

Leveler

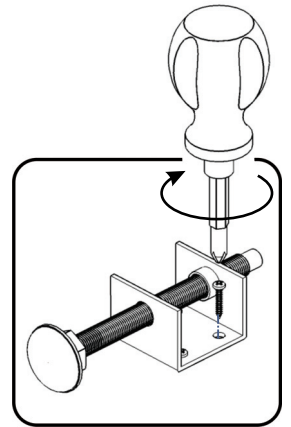
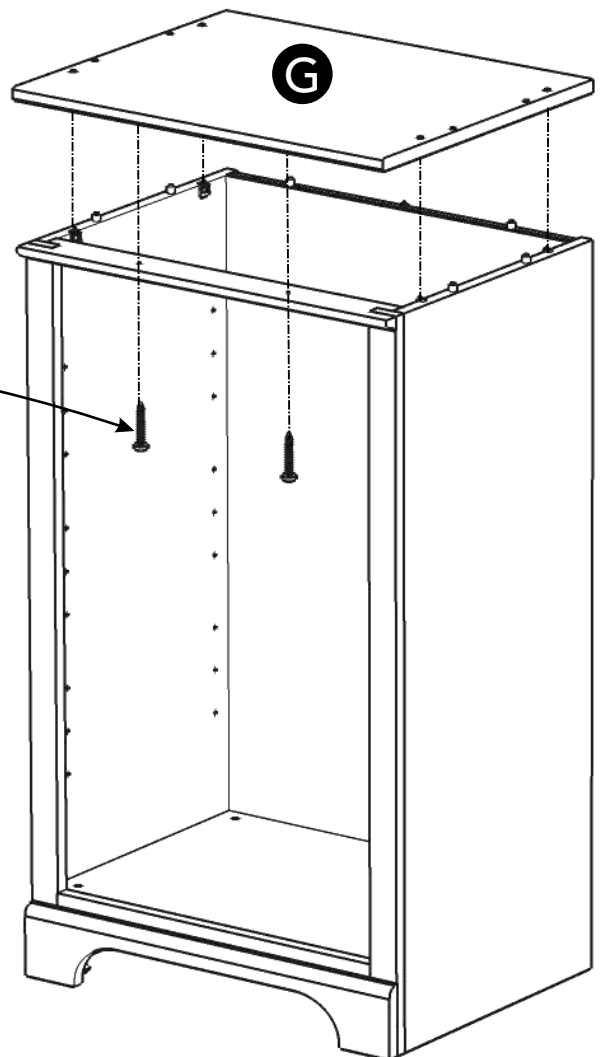


Figure 2

Wood Screw (long)

## STEP 4

Attach Top (G) to unit with Wood Screws (long), then flip the locks.

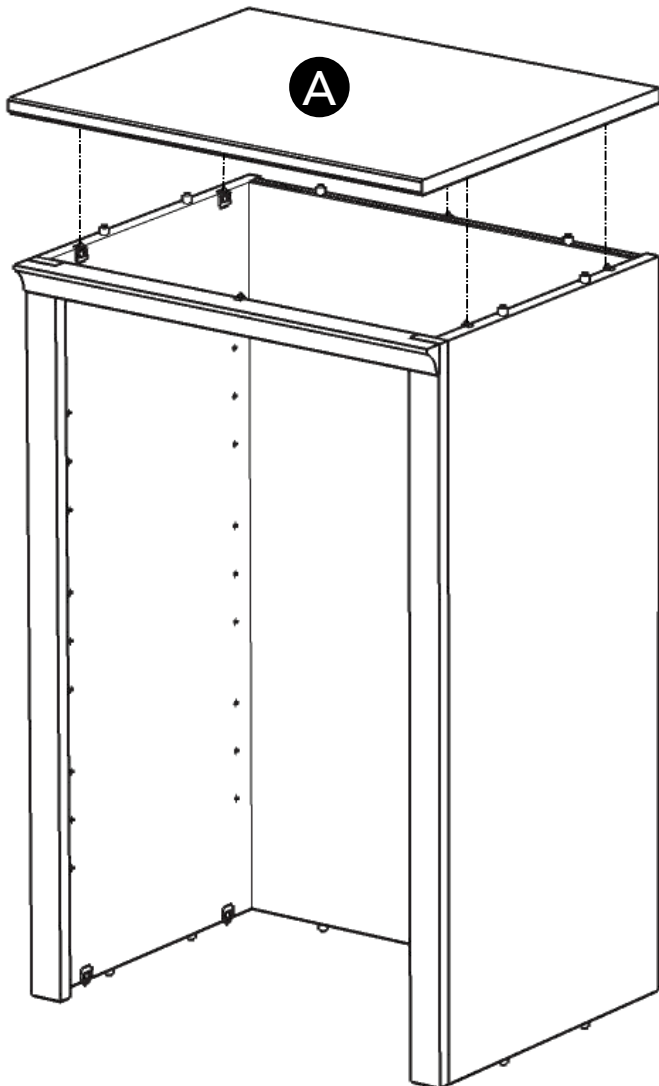
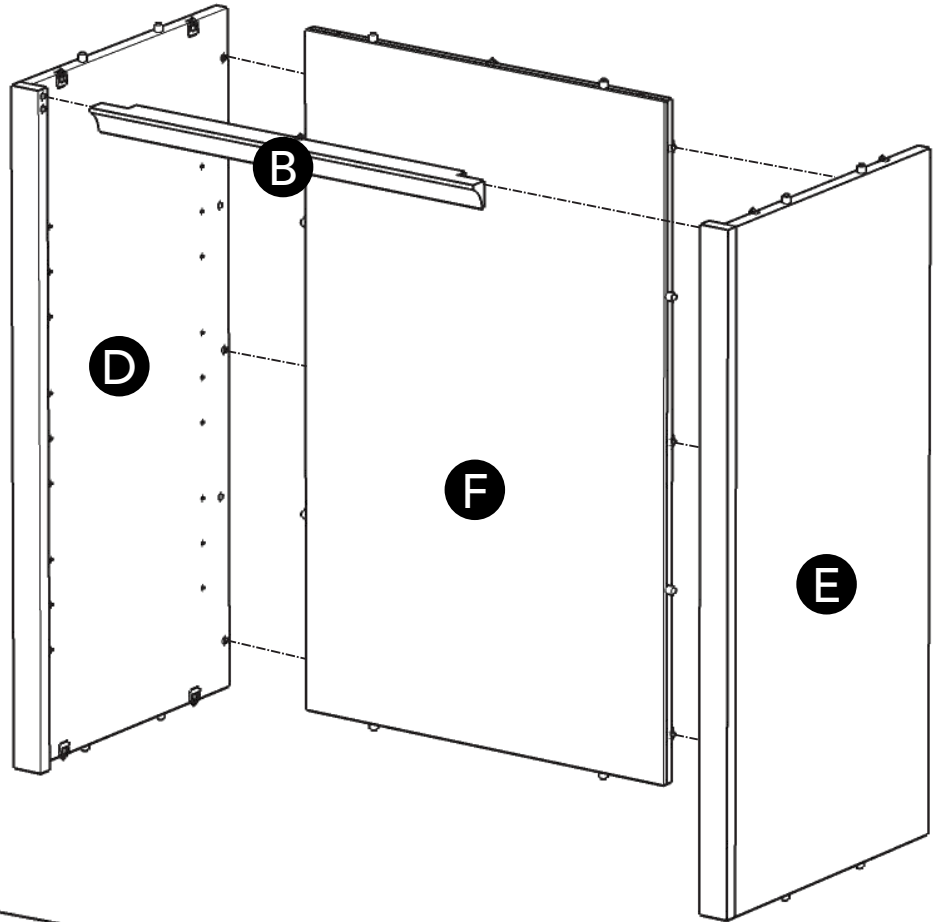


## Assembly Instructions 4/7

### STEP 5

Attach Back Panel (F) and Front Rail (B) to Side Panel (E), then flip the locks.

Attach Side Panel (D) to unit, then flip the locks.



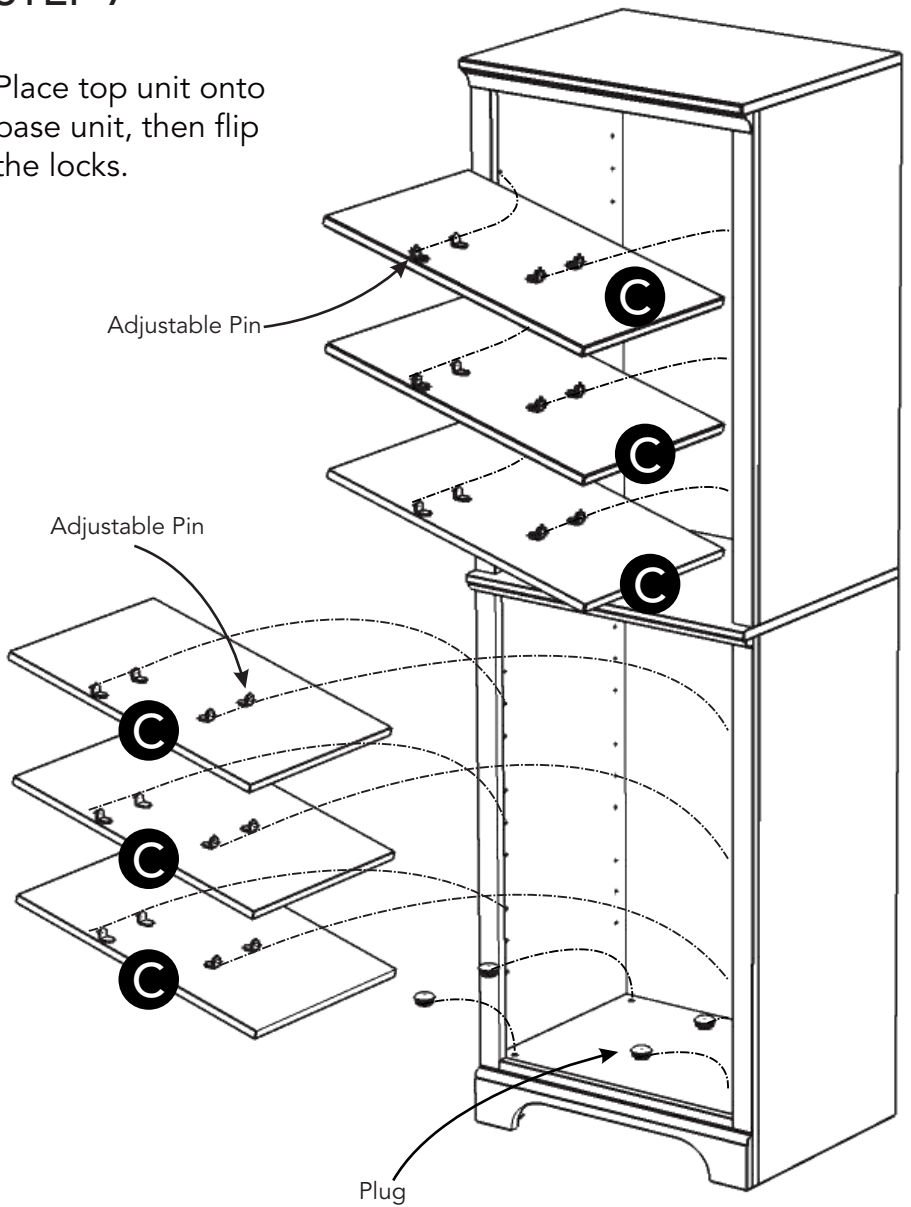
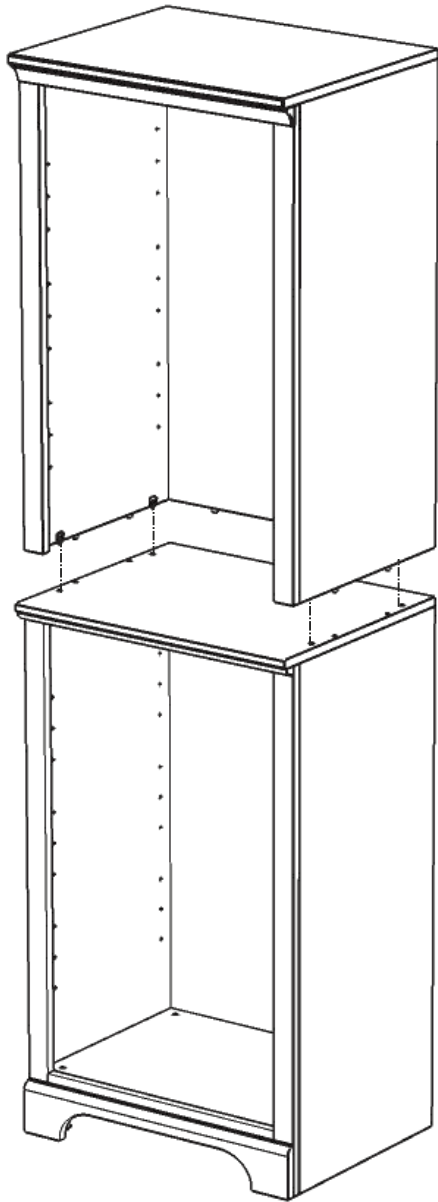
### STEP 6

Attach Top (A) to unit, then flip the locks.

# Assembly Instructions 5/7

## STEP 7

Place top unit onto base unit, then flip the locks.



## STEP 8

Place unit at desired location.

Note: If assembling multiple Closet Wall Units together, place all units at desired location.

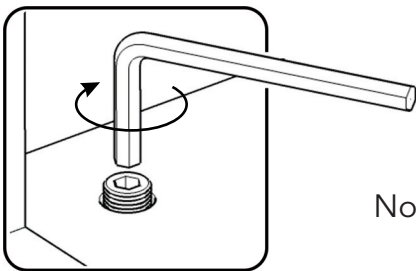


Figure 3

Level the unit(s) by adjusting the adjustable levelers on the bottom of unit(s).  
(See Figure 3)

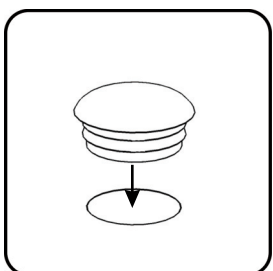


Figure 4

Note: Unit(s) must be level to proceed.

Cover all holes with Plugs. (See Figure 4)

Insert the Adjustable Pins into the side panels at the desired level and place Shelves (C) into position.

# Assembly Instructions 6/7

## IMPORTANT

• To help reduce the risk of the unit tipping over, the Tipover Restraint must be installed following these instructions exactly.

## STEP 9

Drill a 3/8" hole in wall in-line with the pre-drilled hole at top of unit.

Move unit.

Insert Anchor into the wall hole and attach Bracket with Wall Screw.

Attach Bracket at pre-drilled hole at top of unit with Wood Screw.

Move unit back into place.

If assembling multiple Closet Wall Units together, go to and complete Step 10 now, then return to and complete Step 9.

Slide Tipover Restraint through Bracket on wall and Bracket on unit. (See Figure 5)

Put tie end of Tipover Restraint into lock end of Tipover Restraint and pull until tight.

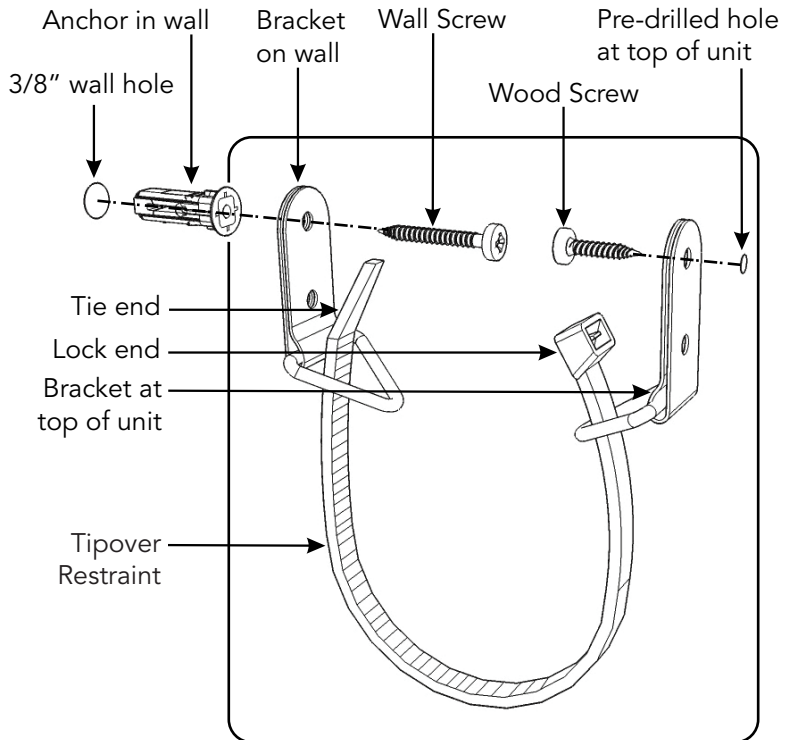
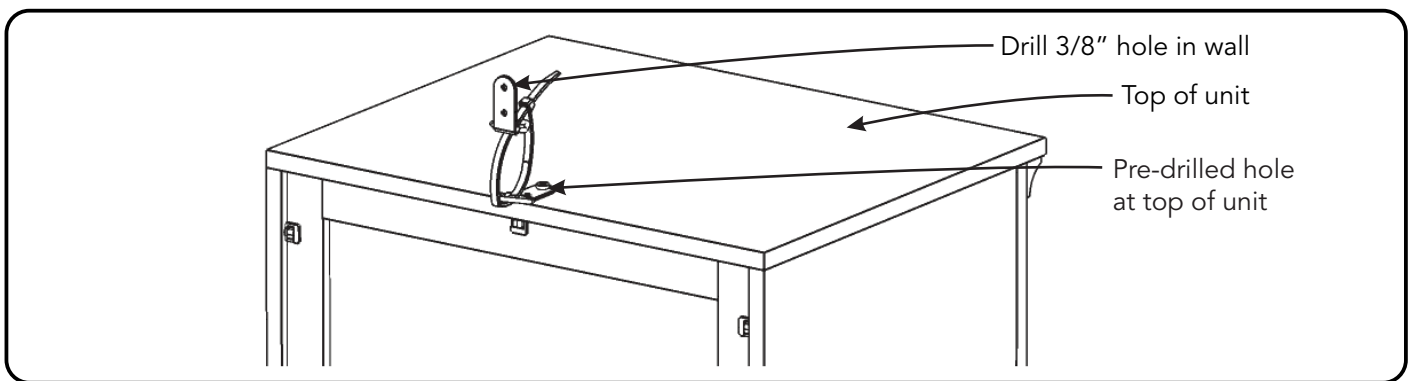
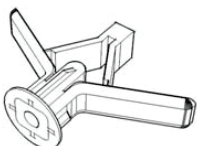


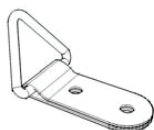
Figure 5



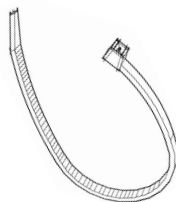
## Hardware List



Anchor  
1 pc. (+1 extra)



Bracket  
2 pcs. (+1 extra)



Tipover Restraint  
1 pc. (+1 extra)



M3.5x40  
Wall Screw  
1 pc. (+1 extra)



M3.5x16  
Wood Screw  
1 pc. (+1 extra)

## Assembly Instructions 7/7

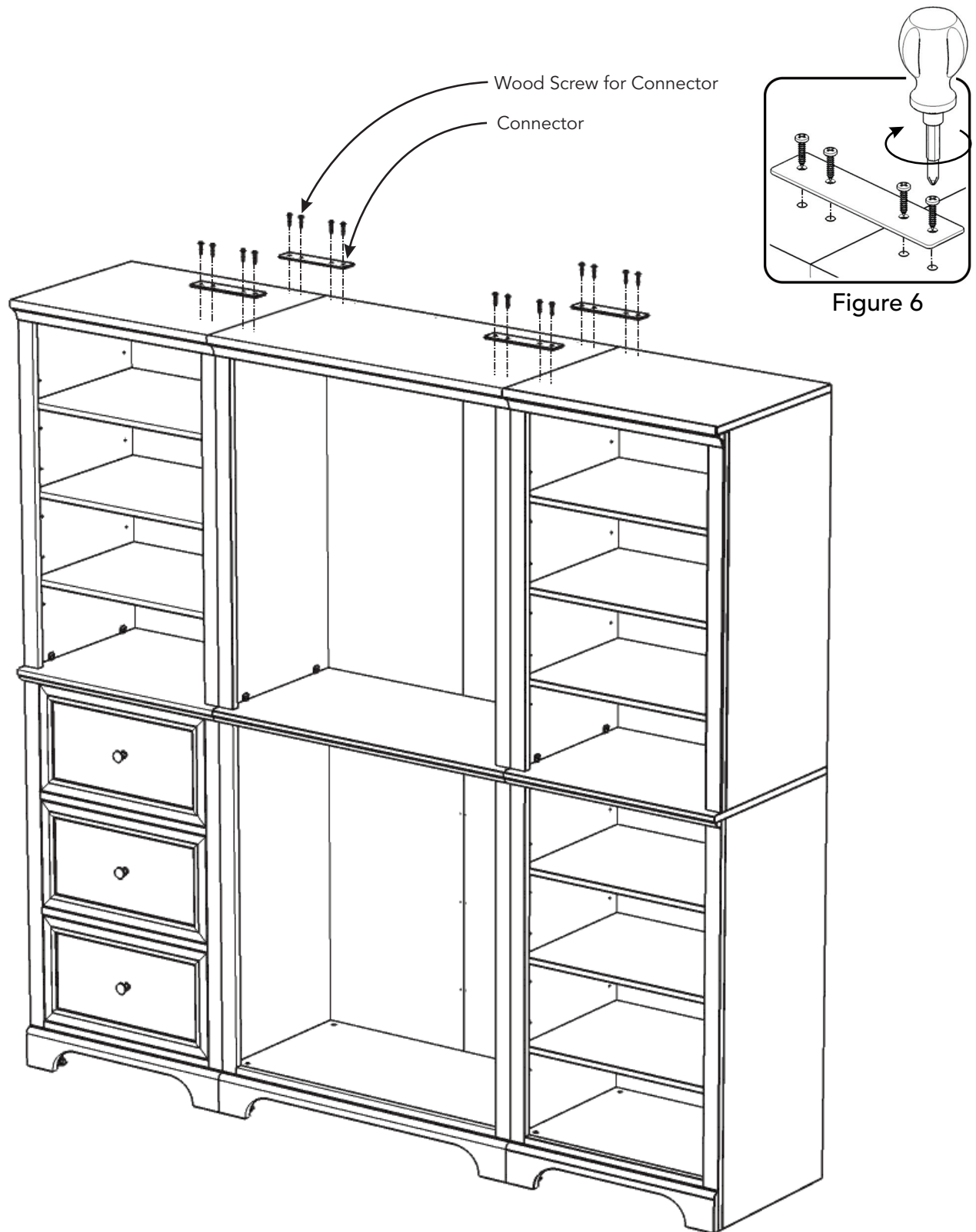


Figure 6

### STEP 10

Note: If assembling multiple Closet Wall Units together, complete Step 10.

Attach the top of units together using Connector and Wood Screw for Connectors into the pre-drilled holes. (See Figure 6)

Return to and complete Step 9.

# CARE INSTRUCTIONS

## NEVER

allow liquids to remain on furniture.  
Absorption causes parts to warp  
and split and finishes to delaminate.

## NEVER

use glass cleaners on  
finished furniture. Ammonia  
chemically attacks the finish.



Do not use power tools  
above 8 volts to assemble.

**PREVENT  
CRACKING**



Do not place  
in direct sunlight.

**PREVENT  
FADING**



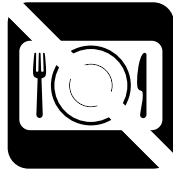
Do not write  
directly on surface.

**PREVENT  
MARKING**



Do not place hot  
objects on surface.

**PREVENT  
FINISH DAMAGE**



Do not use rubber  
based placemats.

**PREVENT  
DISCOLORING**



Do not use commercial  
waxes and polishes.

**PREVENT  
YELLOWING**

## CLEAN

with a soft cloth moistened  
in lukewarm soap and water.  
Buff with a dry clean cloth.



Home Styles will provide replacements free of charge for missing or damaged hardware or parts within 30 days of purchase. Digital images of the defective parts may be required. If the product was not purchased from an authorized retail affiliate, Home Styles is under no obligation to provide replacement parts. Parts are not available for fully assembled items nor are parts available for sale. Replacements for missing or damaged hardware or parts may be requested at:

[www.homestyles-furniture.com/customer-service/replacement-parts](http://www.homestyles-furniture.com/customer-service/replacement-parts)

Home Styles Customer Service: [www.homestyles-furniture.com](http://www.homestyles-furniture.com),  
[servicedesk@homestyles-furniture.com](mailto:servicedesk@homestyles-furniture.com), 888-680-7460, 877-831-0319